



1-800-283-6266

Phone: (713) 466-1449 Fax: (713) 466-1703

E-Mail: customerservice@enconsafety.com

ABS SHOWER HEAD PART NUMBER: 01054005

SPECIFICATION:

Shower head shall provide a non-injurious stream of water when mounted 96”(243.84cm) to 82” (208.28cm) from standing level. Shower head shall be supplied with self-adjusting 20 gpm (75.7 lpm) regulator to assure a constant flow and pattern under 30/70 psi (206.8/482.6 kPa) hydraulic conditions. Shower head to be manufactured of UV resistant high visibility yellow ABS plastic. Shower head shall deliver a minimum of 20” (50.8 cm) diameter pattern to the target area 60” (152.4 cm) above standing level. Shower units that provide improper flow pattern are not acceptable. Shower unit shall be Encon Safety Products Model 01054005. For optional 30 gpm (113.6 lpm) showerhead, unit shall be Encon Safety Products Model 01054003.

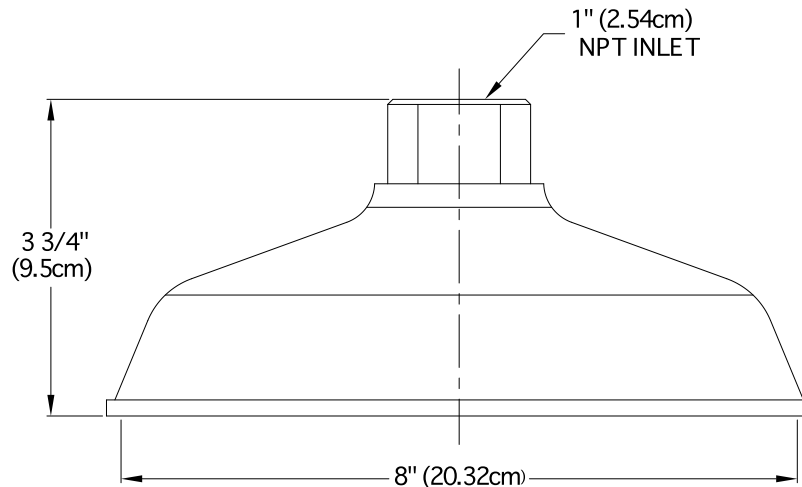
MATERIALS OF CONSTRUCTION:

SHOWERHEAD: Yellow ABS plastic shower head.

REGULATOR: Self-adjusting 20 gpm (75.7 lpm) regulator.

SUPPLY: 1” NPT

WEIGHT: 1 lbs (0.45 kgs)



	MODEL #	DESCRIPTION
	01054005	As Specified
	01054003	As Specified except 30 gpm flow rate

Doc. No: 01054005.1

Issue Date: 04/26/06

Sec: Showers/Combinations

© 2006 Encon Safety Products

Visit our website: www.enconsafety.com