



COMBINATION SHOWER/ FACEWASH WITH S/S PIPING & YELLO BOWL® PART NUMBER: 01050219

SPECIFICATION:

Third party certified to ANSI Z358.1, the combination shower and eye/facewash shall deliver 30 gpm (113.5 lpm) @ 30/70 psi (206.8/482.6 kPa) of flowing pressure from the shower head and 8.0 gpm (30.3 lpm) @ 30/70 psi (206.8/482.6 kPa) of flowing pressure from the eye/facewash. Unit shall provide a non-injurious stream of water for 15 minutes or longer. Combination unit shall be supplied with stainless steel (SS) single motion activation stay open ball valves with SS balls. Valve sizes: shower 1", eye/facewash 1/2". Unit shall include SS actuators with actuation graphics, type 304 schedule 40 stainless steel piping and 1 1/4" supply/waste connection with flanged floor mounting plate for free-standing installation. Shower head shall be supplied with self-adjusting 30 gpm (113.5 lpm) regulator. Eye/Facewash to be supplied with self-adjusting 8.0 gpm (30.3 lpm) regulator to assure a constant and even dual stream flow pattern under 30/70 psi (206.8/482.6 kPa) hydraulic conditions. Shower head to be manufactured of UV resistant high visibility yellow ABS plastic. Shower head must deliver a minimum of 20" (50.8cm) diameter pattern to the target area 60" (152.4cm) above standing level. Eye/Facewash heads with float off covers to be manufactured of UV resistant ABS plastic mounted in a high visibility ABS Yello-Bowl®. Float off covers are secured with stainless steel bead chains and provided to inhibit dust and/or contamination when not in use. Combination units that provide improper flow pattern or contain deteriorating screens/filters are not acceptable. **Encon Safety Products Model 01050219** includes combination shower/eyewash unit with SS piping, SS valves.

***Note:** Where hazardous materials that are injurious to the skin are used, a proper eyewash or eye/facewash installation with an emergency shower should be considered.

MATERIALS OF CONSTRUCTION:

PIPING: Type 304 schedule 40 stainless steel.

VALVES: Stainless steel stay open ball valves with stainless steel balls, stainless steel push plate with actuation graphic (eye/facewash) and stainless steel pull rod assembly with actuation graphic (shower). Valve sizes: shower 1", eye/facewash 1/2".

SHOWER HEAD: Yellow ABS plastic shower head.

EYE/FACEWASH HEAD: ABS plastic dual stream heads with ABS plastic float off covers secured with stainless steel bead chains.

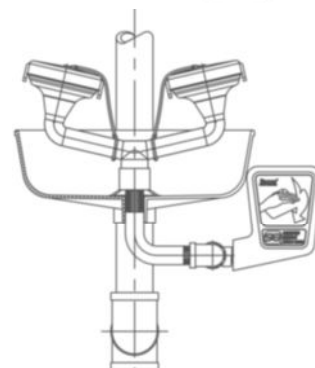
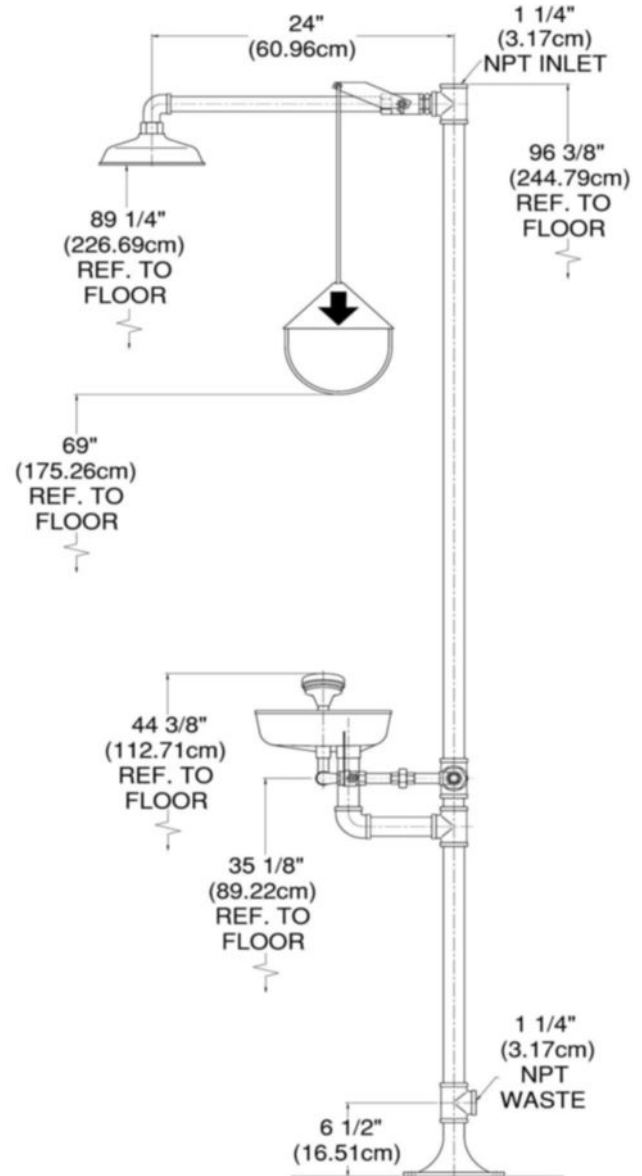
BOWL: High visibility ABS plastic Yello-Bowl®.

REGULATOR: Self adjusting 30 gpm (113.5 lpm) shower and 8.0 gpm (30.3 lpm) eye/facewash regulators.

SUPPLY: 1 1/4" NPT

WASTE: 1 1/4" NPT

WEIGHT: 59 lbs (26.76 kgs)



FRONT VIEW
(FACEWASH)

