



1-800-283-6266

Phone: (713) 466-1449 Fax: (713) 466-1703
E-Mail: customerservice@enconsafety.com



HORIZONTAL MOUNTED SHOWER

PART NUMBER: 01052501

SPECIFICATION:

Third party certified to ANSI Z358.1, the shower shall deliver 30 gpm (113.6 lpm) @ 30/70 psi (206.8/482.6 kPa) of flowing pressure. Shower shall provide a non-injurious stream of water for 15 minutes or longer. Unit shall be supplied with 1" chrome plated (CP) bronze single motion activation stay open ball valve with CP ball, SS actuator with actuation graphic, and 1" supply connection. Shower head shall be supplied with self-adjusting 30 gpm (113.6 lpm) regulator to assure a constant flow and pattern under 30/70 psi (206.8/482.6 kPa) hydraulic conditions. Shower head to be manufactured of UV resistant high visibility yellow ABS plastic. Shower head must deliver a minimum of 20" (50.8 cm) diameter pattern to the target area 60" (152.4 cm) above standing level. Shower units that provide improper flow pattern are not acceptable. Shower unit shall be Encon Safety Products Model 01052501. For optional 20 gpm (75.7 lpm) showerhead, unit shall be Encon Safety Products Model 01052522. For type 304 SS head, unit shall be Encon Safety Products Model 01052501SS. If type 304 SS piping and valve is required, unit shall be Encon Safety Products Model 01052530. For type 304 SS piping, valve and showerhead unit shall be Encon Safety Products Model 01052555.

MATERIALS OF CONSTRUCTION:

PIPING: Schedule 80 hot dip galvanized steel.

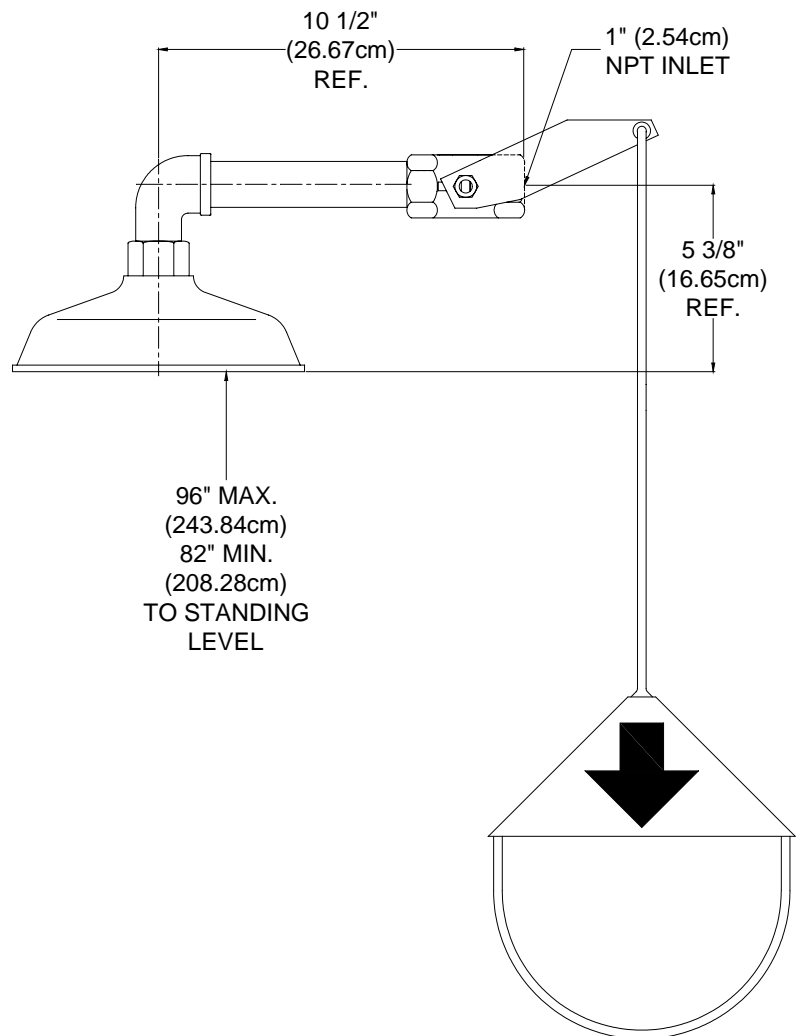
VALVE: 1" chrome plated bronze stay open ball valve with chrome plated ball, stainless steel valve stem and stainless steel pull rod assembly with actuation graphic.

SHOWERHEAD: Yellow ABS plastic shower head.

REGULATOR: Self-adjusting 30 gpm (113.6 lpm) regulator.

SUPPLY: 1" NPT

WEIGHT: 8 lbs (3.62 kgs)



MODEL #	DESCRIPTION
01052501	As Specified
01052522	With 20 gpm ABS shower head
01052501SS	With 304 SS shower head
01052530	With 304 SS piping and valve
01052555	With 304 SS piping and valve, 304 SS shower head