



1-800-283-6266

Phone: (713) 466-1449 Fax: (713) 466-1703

E-Mail: customerservice@enconsafety.com



# 37 GALLON EYEWASH W/DRENCH HOSE ON TRANSPORT CART PART NUMBER: 01106001

### SPECIFICATION:

Third party certified to ANSI Z358.1, the self-contained eyewash shall deliver a non-injurious dual stream of water at a volume of 0.4 gpm (1.5 lpm) for a full 15 minutes or longer. Eyewash is supplied with a single motion, stay open push plate activated 1/2" ball valve. Unit shall supply thirty gallons of useable water from a stainless steel ASME rated vessel on a heavy duty steel welded transport cart to easily accommodate eyewash relocation. A relief valve is included to assist in preventing over-pressurization and a custom-faced gauge is provided to monitor internal tank pressure. The eyewash includes a self-adjusting 0.4 gpm (1.5 lpm) regulator to assure constant, even flow through UV resistant long lasting ABS plastic eyewash heads. The fixed dual stream eyewash heads function with ABS float off covers secured with stainless steel bead chains provided to inhibit dust and/or contamination when not in use. A 3/8" chrome plated brass self-closing squeeze valve operated drench hose with eight-foot hose is included for optional spot drenching. The drench hose assembly includes a self-adjusting 4.0 gpm (15.1 lpm) regulator to assure constant, even flow through a UV resistant ABS plastic single spray head. ABS float off cover is supplied and secured with stainless steel bead chain. Highly visible graphics are included on the eyewash push plate to indicate activation method. Maintenance and operation information is visibly displayed on the vessel side. Eyewash shall be Encon Safety Products Model 01106001.

### MATERIALS OF CONSTRUCTION:

**PIPING:** 1/2" Chrome plated brass.

**VALVES:** 1/2" Chrome plated bronze stay open ball valve with chrome plated ball, stainless steel valve stem and stainless steel push plate with actuation graphic (eyewash) and 3/8" chrome plated bronze self-closing squeeze valve with lock open handle actuator (drench hose).

**EYEWASH HEAD:** ABS plastic dual stream heads with ABS plastic pop off covers secured with stainless steel bead chains.

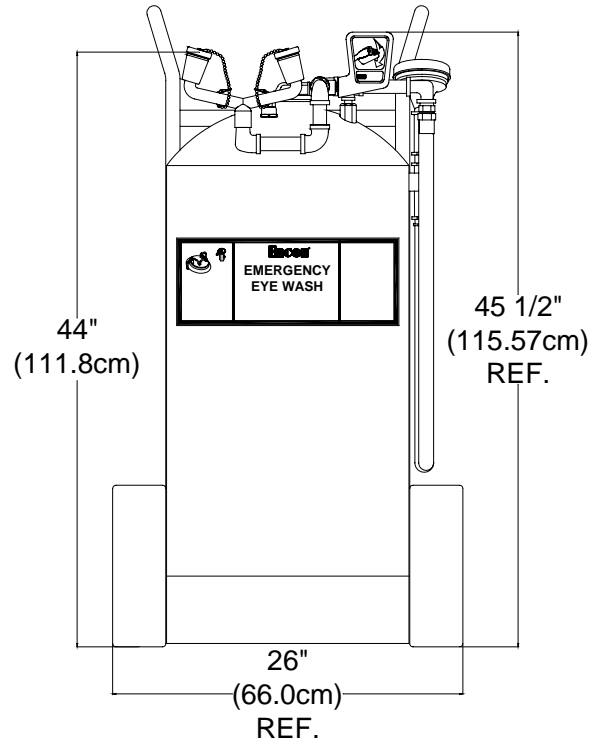
**REGULATOR:** Self-adjusting 0.4 gpm (1.5 lpm) eyewash and 4.0 gpm (15.1 lpm) drench hose regulators.

**VESSEL:** Stainless steel ASME rated with 37-gallon capacity.

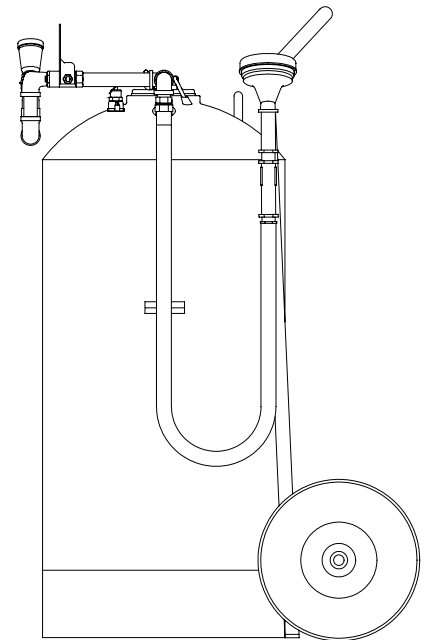
**WATER TREATMENT ADDITIVE:** 2 bottles of Hydrosep® shipped with each unit. Treats 10 to 40 gallons (37.8 l to 151.4 l) of potable water up to 120 days.

**WEIGHT:** 160 lbs (72.6 kgs)

MODEL #	DESCRIPTION
01106001	Unit as Specified
01106002	Less transport cart
01110764	Case of four (4) Hydrosep® bottles



FRONT VIEW



SIDE VIEW