

AQ100 Fork Retrofit Kit

Installation Instructions (If the AQ100 has already been activated and the replacement cartridges have not been installed yet then skip to step 5.)

1. To open the Nozzle Assembly, open Tray Assembly utilizing the Supervisory Override Latch. Override Latches are located on underside of handle (Ref Figure 1). Both latches must be depressed to allow tray to open.

Note: The only way to open the Tray Assembly, without breaking the easy Break Security Tag and activating the Fluid Cartridge, is to use the override latch.

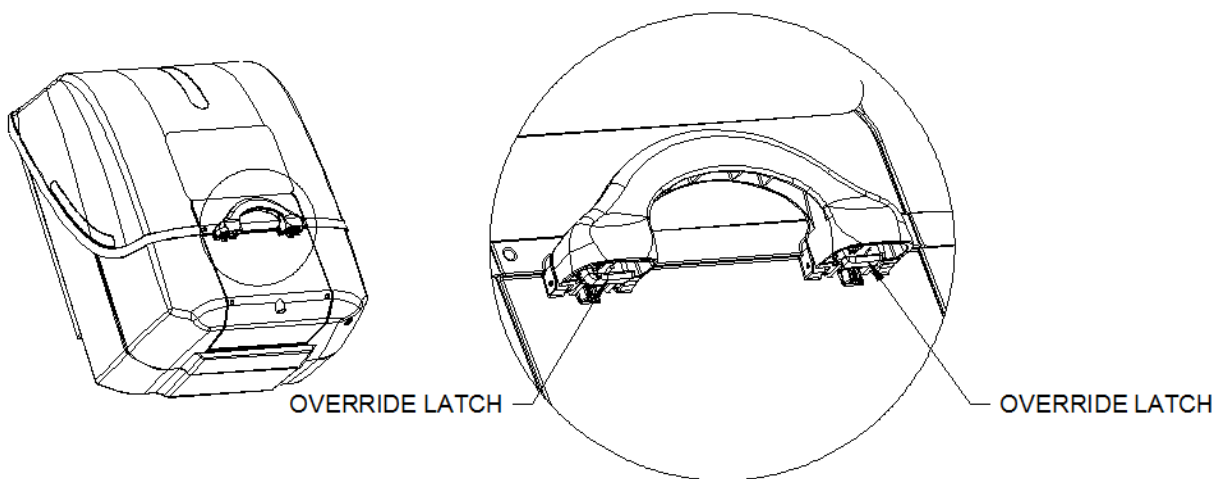


Figure 1

2. Once the tray is open, you will see two nozzle assemblies. (Refer to figure 3 for parts terminology.)



Figure 2: Nozzle Assemblies installed

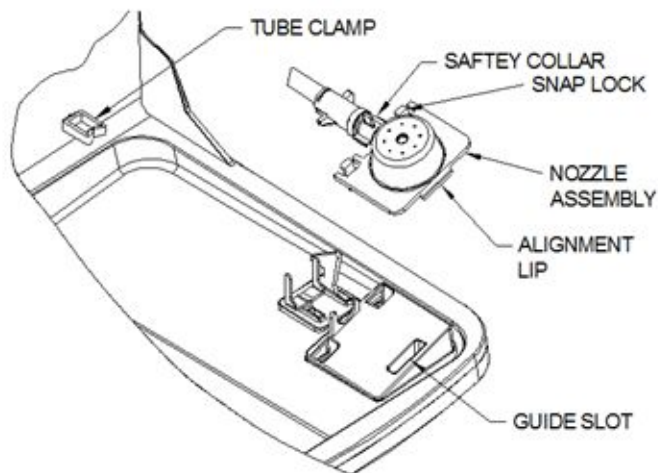


Figure 3: Parts Terminology

3. Pinch the Snap Locks on the Nozzle assembly in order to carefully pull the assemble out from between the fork.

Note: Do not to slide the safety collar up towards the nozzles or the system will engage and all the water will drain.

4. Move the assembly over to the side leaving the metal forks exposed. This will reduce the risk of accidently activating the Fluid Cartridge. (Ref Figure 4)



Figure 4: Nozzle Assembly Removed

5. With the fork prongs exposed place the caps on the prongs one cap at a time and push down until they fit securely in place. (Ref Figure 5)

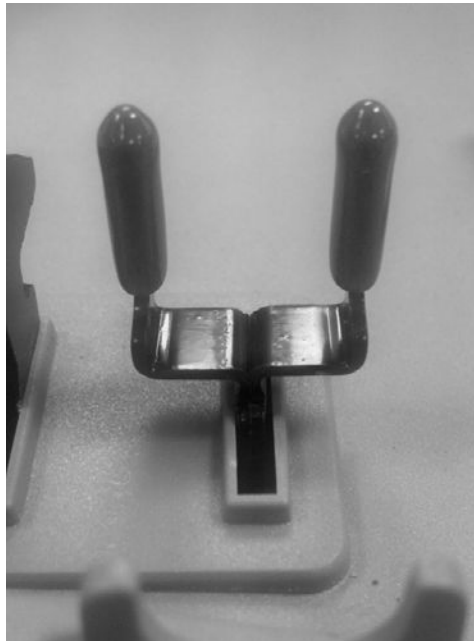


Figure 5: Installed caps

6. After ensuring that the Cartridge tube is secure with Tube Clamp, Tilt Nozzle Assembly to insert alignment lip into guide slot on Tray Assembly. (Ref Figure 6)



Figure 6: Guide Slot Insertion

7. Insert Snap Locks on Nozzle Assembly in to mating slots on Tray Assembly.

NOTE: Both locks must fully engage with slots. During installation, the Safety Collar will snap off the assembly. This collar must be discarded. (This will only happen if this is a new installation.)

8. Repeat Step 3-7 for other side.



Figure 7: Final Installation product.

9. Lid Assembly must be in place before you close Tray Assembly.

Note: Refer to Installation, Operation, Maintenance Manual 01-9999-72.

10. Place the easy Break Away Tag through hole provide on right side of handle (Ref Figure 8)

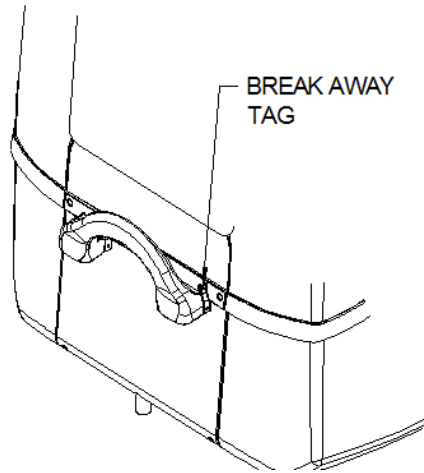


Figure 8: Break Away Tag installed.