

PRODUCT DESCRIPTION

Emergency Eye and Facewash assemblies designed for supply pipe or wall mount in areas where people may come into contact with hazardous materials.



U.S. Patent US 6,205,599



U.S. Patent US 6,205,599

GENERAL INFORMATION

Following are requirements of ANSI Z358.1 for Emergency Eyewash and Shower Equipment. A complete copy of this standard may be purchased from the International Safety Equipment Association.

1. Unit shall be installed in accordance with the manufacturer's instructions and acceptable plumbing practices.
2. The eye/facewash shall be positioned with the water nozzles between 83.8 cm (33 inches) and 114.3 cm (45 inches) from the floor and 15.3 cm (6 inches) minimum from the wall or nearest obstruction.
3. The unit shall be connected to a system capable of supplying adequate flushing fluid to meet the flow requirements of each component operating simultaneously. The supply line shall provide an uninterrupted supply of potable water at recommended minimum 0.207 megapascal (30 pounds per square inch) of flow pressure.
4. Where the possibility of freezing conditions exists, equipment shall be protected from freezing or freeze-protected equipment shall be installed.
5. When the unit is installed, it shall be tested in accordance with the following procedures:
 - a. With the unit correctly connected to the water source and the valve(s) closed, visually check the piping connection for leaks.
 - b. Open the valve to the full open position. The valve shall remain open without requiring further use of the operator's hands.
 - c. With the valve in the "full on" position, measure the flushing fluid flow pattern with the use of a test gauge to determine a suitable eyewash pattern as required by ANSI standards. Determine that both eyes can be irrigated simultaneously at a velocity low enough not to be injurious to the user.
6. Eyewash units shall be in accessible locations that require no more than 10 seconds travel time from the farthest hazard.
7. Each unit location shall be identified with a highly visible sign. The area around the unit shall be well lit.
8. Plumbed units shall be inspected annually for proper operation to ensure compliance to ANSI Z358.1 standard.

FIGURE 1 NO BOWL AND ABS BOWL MODELS ARE SHOWN BELOW

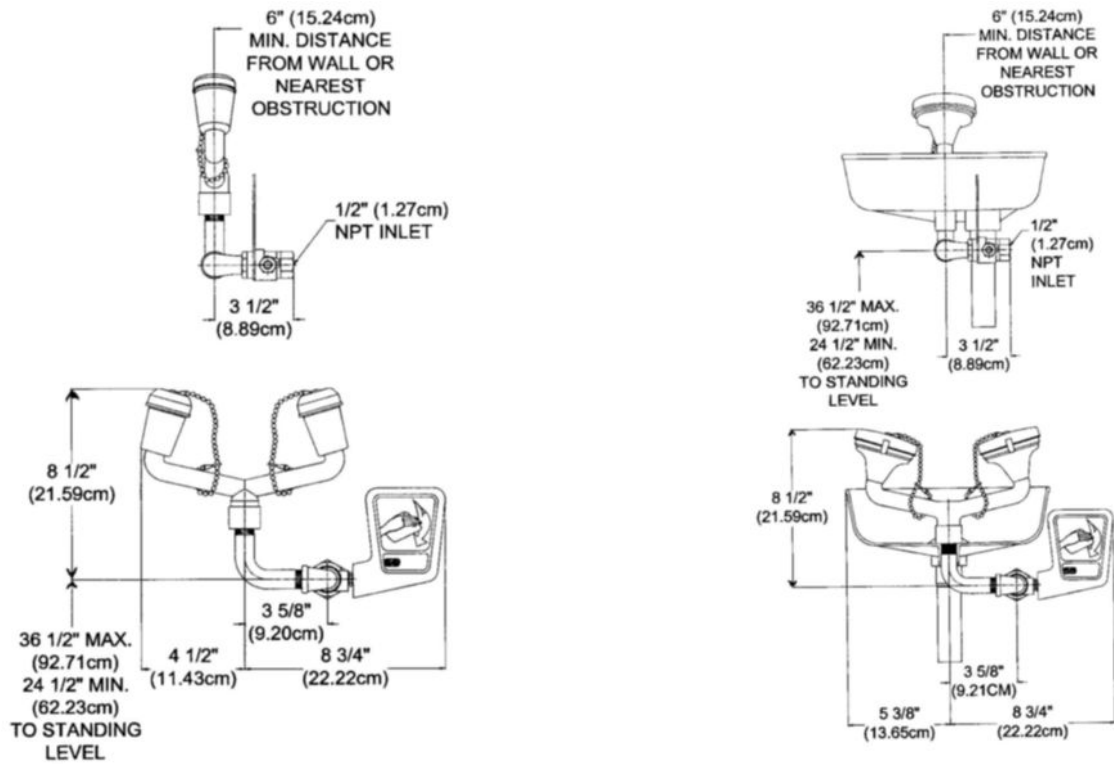
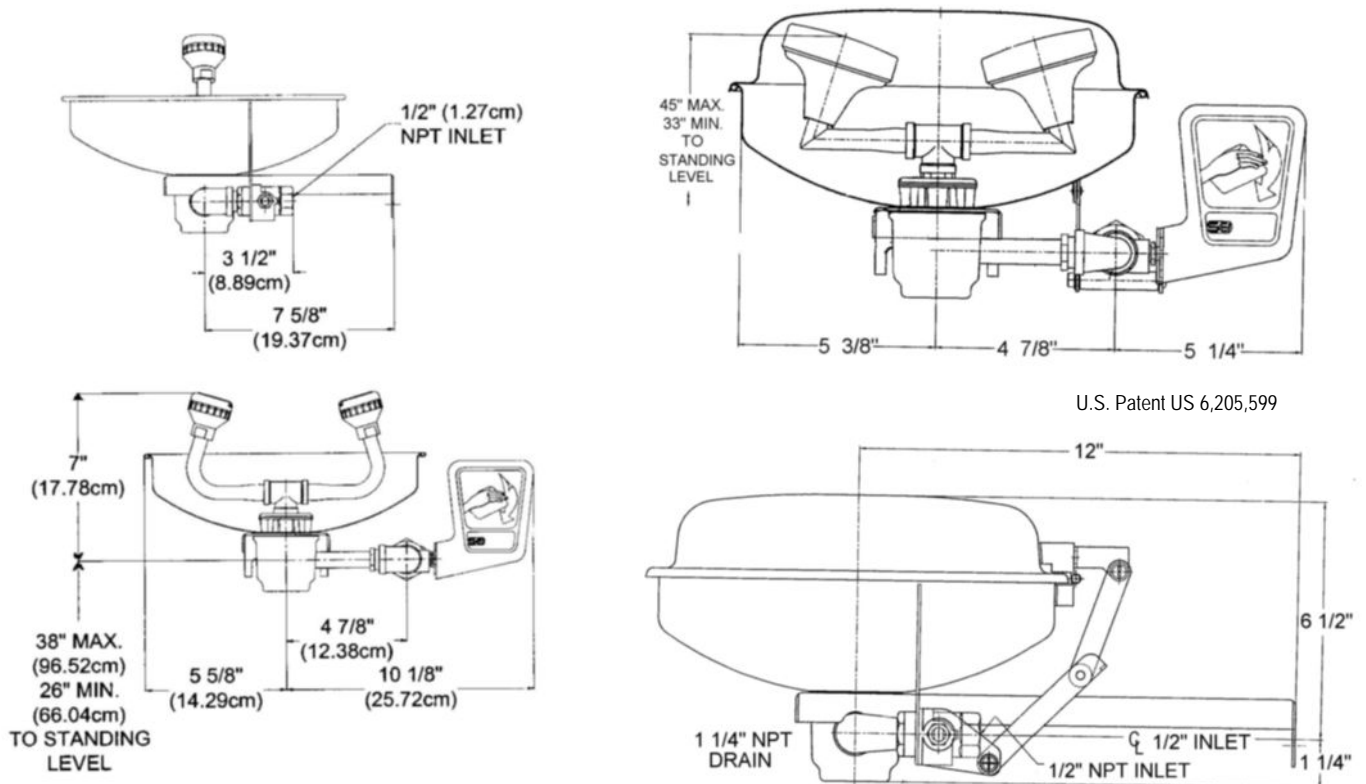


FIGURE 2 STAINLESS STEEL BOWL MODELS ARE SHOWN BELOW



U.S. Patent US 6,205,599

ASSEMBLY INSTRUCTIONS

CAUTION: CHECK FOR ADEQUATE WALL STRENGTH

ATTACHMENT TO WALL (if applicable) NOTE: Mounting hardware is not included

- Concrete Block:** Use three (3) ¼" dia. toggle screws.
Concrete: Use three (3) ¼" dia. expansion anchors or equal
Stud: Cut piece of wood (1" x 8"). Wood should be long enough to bridge between wall studs. Fasten wood to existing studs, then attach bracket to wood using three (3) ¼" dia. lag screws.

NOTE: Use thread sealant on all joints except on ABS component eyewash or facewash heads.

1. Attach ball valve to ½" NPT potable water supply line using pipe wrench and appropriate pipe sealant.
2. Place push plate over stem of ball valve and attach with lock nut provided.
3. Screw eyewash or facewash head assembly onto fountain, taking care not to cross thread. Hand tightened until snug. Once snug, rotate back until eyewash heads are aligned with push plate (when in off position). **CAUTION: Do not over tighten. Do not use pipe sealant or tape.**
4. For proper operation of hinged lids, position hinges to the inside of the eyewash.
5. Test unit for leaks and for proper water flow pattern by activating valve to open position using push plate.
(Recommended maximum dynamic water pressure 80 psi / minimum dynamic water pressure 30 psi)

SPARE PARTS LIST

Model 01052122
Eye/Facewash Dual Stream ABS Head Assy.
ABS wye, ½" Inlet, 8.0 regulation. Used with Yello-Bowl®/no bowl models.

Model 01052133
Eye/Facewash Dual Stream ABS Head Assy.
Chrome plated brass wye, ½" Inlet, 8.0 regulation.
Used with Yello-Bowl®/no bowl models.

Model 01052130
Eye/Facewash Dual Stream ABS Head Assy.
Chrome plated brass wye, 3/8" Inlet, 8.0 regulation.
Used with stainless steel bowl models.

Model 01052264
Stainless Steel Eye/Facewash Dual Stream Head Assy.
Stainless steel wye. 1/2" Inlet, 8.0 regulation. Used
with stainless steel bowl models.

Model 01052212
Eye/Facewash Dual Stream ABS Head Assy.
Chrome plated brass wye. Low profile designed for
fountains with bowl covers. ½" inlet; 8.0 gpm
regulation. Used with Yello-Bowl® models.

Model 01052211
Eye/Facewash Dual Stream ABS Head Assy.
Chrome plated brass wye. Low profile designed for
fountains with bowl covers. 3/8" Inlet; 8.0 gpm
regulation. Used with stainless steel bowl models.

Model 01052040
Replacement ABS Eye/Facewash Head Only
¼" UNF threaded inlet.

Model 01052020
Eye/Facwash Float Off Cover

Model 01052018
Stainless Steel Push Plate with Graphics

Model 01052123
Eyewash Dual Stream ABS Head Assy.
ABS wye, ½" Inlet, 3.5 regulation. Used with Yello-Bowl®/no bowl models.

Model 01052132
Eyewash Dual Stream Acetal Head Assy.
Chrome plated brass wye, ½" Inlet, 2.4 regulation.
Used with Yello-Bowl®/no bowl models.

Model 01052129
Eyewash Dual Stream Acetal Head Assy.
Chrome plated brass wye. 3/8" Inlet; 2.4 gpm
regulation. Used with stainless steel bowl models.

Model 01052263
Stainless Steel Eyewash Dual Stream Head Assy.
Stainless steel wye. 1/2" Inlet; 2.5 gpm regulation.
Used with stainless steel bowl models.

Model 01052208
Eyewash Dual Stream Acetal Head Assy.
Chrome plated brass wye. Low profile designed for
fountains with bowl covers. ½" inlet; 2.4 gpm
regulation. Used with Yello-Bowl® models.

Model 01052207
Eyewash Dual Stream Acetal Head Assy.
Chrome plated brass wye. Low profile designed for
fountains with bowl covers. 3/8" Inlet; 2.4 gpm
regulation. Used with stainless steel bowl models.

Model 01052113
Eyewash Float Off Cover

Model 01052045
Replacement Acetal Eyewash Head Only
1.2 GPM regulation.

Model 01052047
Push Plate with Bowl Cover Actuator
Stainless steel push plate with graphics and bowl cover
actuator for fountains with bowl covers only.

Model 01052101
½" Valve Assembly
Chrome plated bronze stay open ball valve with chrome
plated ball, stainless steel push plate with graphics and
self-locking nut.

Model 01110462
ABS Yello-Bowl®
1-1/4" NPT drain port, ½" NPT water inlet. NOTE: Not
interchangeable with stainless steel bowl.

Model 01110096
Stainless Steel Bowl
2-1/2" Opening in base. NOTE: Not interchangeable
with some ABS Yello-Bowl® models.

Model 01110100
P-Trap Drain
1-1/2" NPT x 1-1/4" tube connections. Used in
conjunction with Model 01110114 drain tube for any
eye/facewash with bowl.

Model 01110114
Drain Tube
1-1/4" NPT male x 1-1/4" tube connections. Fits ABS
Yello-Bowl® and stainless steel bowl drain fittings.

Model 01052118
Wall Bracket
Black aluminum wall bracket. Used with Yello-Bowl®
models.

Model 01110042
Stainless steel wall bracket. Used with stainless steel
bowl models.

OPERATION & MAINTENANCE

1. Plumbed units shall be activated weekly to flush lines and verify proper flow pattern and volume.
2. Test records should be maintained verifying compliance with testing procedures.
3. Some chemical vapors or liquids may damage or soften plastic materials. Precaution should be taken to determine compatibility prior to installation.

TRAINING

All employees who might be exposed to hazardous material shall be instructed in the location and proper use of emergency shower and eye/facewash units. Experiences have shown that initial first-aid treatment for irritants should be to wash the eyes and face for 15 minutes prior to medical treatment. It is important to hold the eyelids open and roll the eyes so water will flow on all surfaces and in the folds surrounding the eyes.

WARRANTY STATEMENT

ENCON HEREBY DISCLAIMS ALL WARRANTIES EXPRESSED OR IMPLIED INCLUDING BUT NOT LIMITED TO WARRANTIES OF MERCHANTABILITY, FITNESS FOR A PARTICULAR PURPOSE, AND NON-INFRINGEMENT OF THIRD-PARTY RIGHTS, EXCEPT AS HEREINAFTER PROVIDED.

Encon Safety Products warrants that for one year from the date of purchase of any Encon products, the product will be free of defects in materials and workmanship if properly used and cared for or cleaned under normal conditions in accordance with Encon's use and care instructions and properly installed, if applicable, in accordance with Encon's installation instructions. With respect to the product, Encon's only obligation and purchaser's exclusive remedy under this warranty is to repair or replace such product; provided that:

1. Encon is notified of the defect within one year of shipment, and
2. the product is determined by Encon to be defective.

Encon requires proof of original ownership as proof of warranty coverage, and Encon must receive any claim under this Limited Warranty within one year of purchase of the product.

NOTWITHSTANDING ANYTHING TO THE CONTRARY CONTAINED HEREIN, ENCON SHALL NOT BE LIABLE FOR LOSS, DAMAGE, OR EXPENSE ARISING DIRECTLY OR INDIRECTLY AS A CONSEQUENCE OF USE OF THE EQUIPMENT WITH OTHER PRODUCTS OR FROM ANY OTHER CAUSE, INCLUDING ANY CONSEQUENTIAL, INCIDENTAL, SPECIAL OR EXEMPLARY DAMAGES, EXCEPT FOR ENCON'S OBLIGATION TO REPAIR OR REPLACE DEFECTIVE PRODUCTS AS EXPRESSLY PROVIDED IN THIS STATEMENT.

Replacement parts purchased from Encon are warranted for one year following the shipment of such replacement part, or until the expiration of the warranty period for the product, whichever is less. No warranty is given in connection with products that are altered without Encon's expressed written consent. The same warranty limitations and the obligations of Encon as set out herein above shall apply to replacement parts.

Encon's total liability arising out of this warranty (including, but not limited to, warranty claims) regardless of forum and regardless of whether such action or claim is based on tort, contract or otherwise will not exceed the total purchase price of the product.



P.O. Box 3826 • Houston, Texas (77253)
(713) 466-1449 • Fax (713) 466-1703
1-800-AT-ENCON / 1-800-283-6266

E-Mail: customerservice@enconsafety.com

Website: www.enconsafety.com

