

Encon[®]
SAFETY PRODUCTS

1-800-283-6266

Phone: (713) 466-1449 Fax: (713) 466-1703
E-Mail: customerservice@enconsafety.com



EYE/FACEWASH WITH YELLO-BOWL[®] AND WALL BRACKET

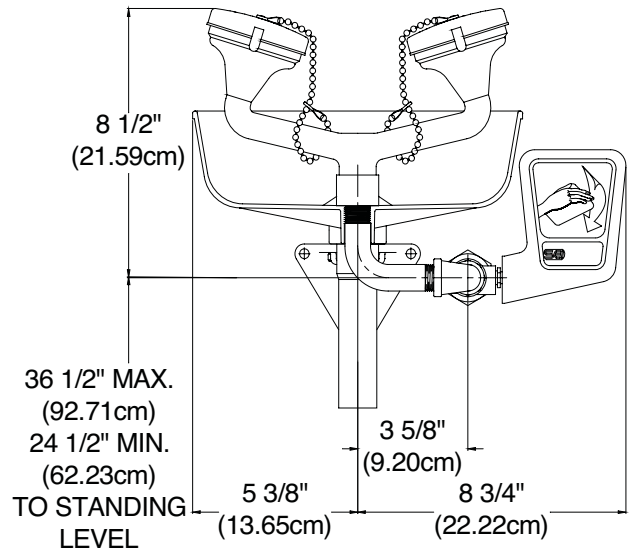
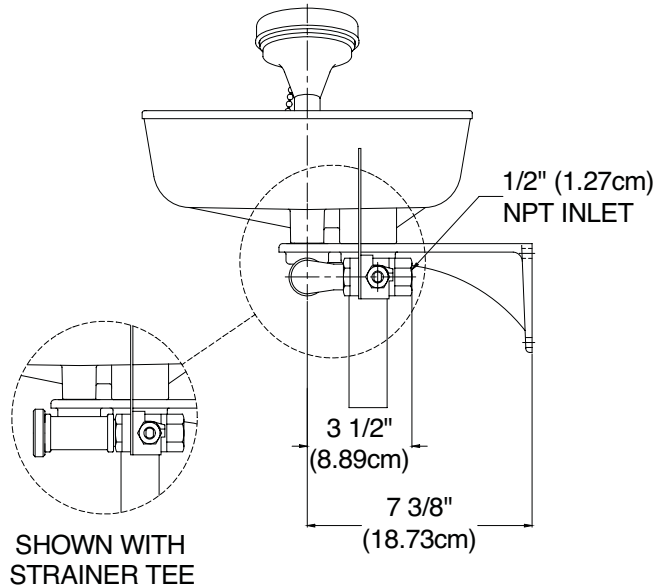
PART NUMBER: 01035501

SPECIFICATION:

Third party certified to ANSI Z358.1, the eye/facewash shall deliver 8.0 gpm (30.3 lpm) @ 30/70 psi (206.8/482.6 kPa) of flowing pressure. Eye/Facewash shall provide a non-injurious stream of water for 15 minutes or longer. The eye/facewash shall be supplied with 1/2" chrome plated (CP) single motion activation stay open ball valve with CP ball. Eye/Facewash shall include SS actuator with actuation graphic, 7" X 11" (17.8cm X 27.9cm) sign, tailpiece and wall mounting bracket. Unit must be supplied with self-adjusting 8.0 gpm (30.3 lpm) regulator to assure a constant and even dual stream flow pattern under 30/70 psi (206.8/482.6 kPa) hydraulic conditions. Eye/Facewash heads with float off covers to be manufactured of UV resistant ABS plastic mounted in a high visibility ABS plastic Yello-Bowl[®]. Float off covers are secured with stainless steel bead chains and provided to inhibit dust and/or contamination when not in use. Eye/Facewash units that provide improper flow pattern or contain deteriorating screens/filters are not acceptable. Eye/Facewash shall be Encon Safety Products Model 01035501. If optional strainer tee required, unit shall be Encon Safety Products Model 01035503.

MATERIALS OF CONSTRUCTION:

- PIPING:** 1/2" Chrome plated brass.
- VALVES:** 1/2" Chrome plated bronze stay open ball valve with chrome plated ball, stainless steel valve stem and stainless steel push plate with actuation graphic. Strainer Tee Option: 1/2" BCP, 16 mesh
- HEAD:** ABS plastic dual stream heads with ABS plastic float off covers secured with stainless steel bead chains.
- BOWL:** High visibility ABS plastic Yello-Bowl[®] with wall mount bracket.
- REGULATOR:** Self-adjusting 8.0 gpm (30.3 lpm) regulator assures a constant and even dual stream flow pattern under varying hydraulic conditions.
- SUPPLY:** 1/2" NPT
- WASTE:** 1 1/4" x 6" (3.17cm X 15.24 cm) long slip joint tailpiece.
- WEIGHT:** 6 lbs (2.72 kgs)



	MODEL #	DESCRIPTION
<input type="checkbox"/>	01035501	Unit as Specified
<input type="checkbox"/>	01035503	With strainer tee