




1-800-283-6266
 Phone: (713) 466-1449 Fax: (713) 466-1703
 E-Mail: customerservice@enconsafety.com

PEDESTAL MOUNT EYE/ FACEWASH W/YELLO-BOWL®

PART NUMBER: 01035402

SPECIFICATION:

Third party certified to ANSI Z358.1, the eye/facewash shall deliver 8.0 gpm (30.3 lpm) @ 30/70 psi (206.8/482.6 kPa) of flowing pressure. Eye/Facewash shall provide a non-injurious stream of water for 15 minutes or longer. Unit shall be supplied with 1/2" chrome plated (CP) single motion activation stay open ball valve with CP ball. Eyewash shall include SS actuator with actuation graphic, 7" X 11" (17.8cm X 27.9cm) sign, 1/2" (CP) brass supply piping and schedule 80 hot dip galvanized pedestal mount/drain for free-standing installation. Unit must be supplied with self-adjusting 8.0 gpm (30.3 lpm) regulator to assure a constant and even dual stream flow pattern under 30/70 psi (206.8/482.6 kPa) hydraulic conditions. Eye/Facewash heads with float off covers to be manufactured of UV resistant ABS plastic mounted in a high visibility ABS plastic Yello-Bowl®. Float off covers are secured with stainless steel bead chains and provided to inhibit dust and/or contamination when not in use. Eye/Facewash units that provide improper flow pattern or contain deteriorating screens/filters are not acceptable. Eye/Facewash shall be Encon Safety Products Model 01035402.

MATERIALS OF CONSTRUCTION:

PIPING: 1/2" Chrome plated brass supply piping, schedule 80 hot dip galvanized pedestal.

VALVES: 1/2" Chrome plated bronze stay open ball valve with chrome plated ball, stainless steel valve stem and stainless steel push plate with actuation graphic.

HEAD: ABS plastic dual stream heads with ABS plastic float off covers secured with stainless steel bead chains.

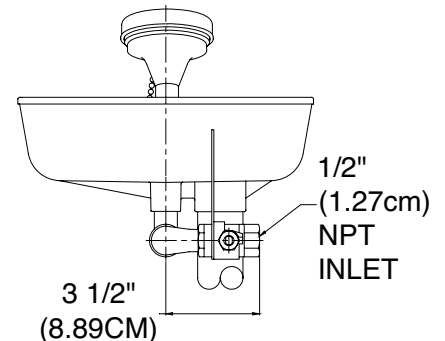
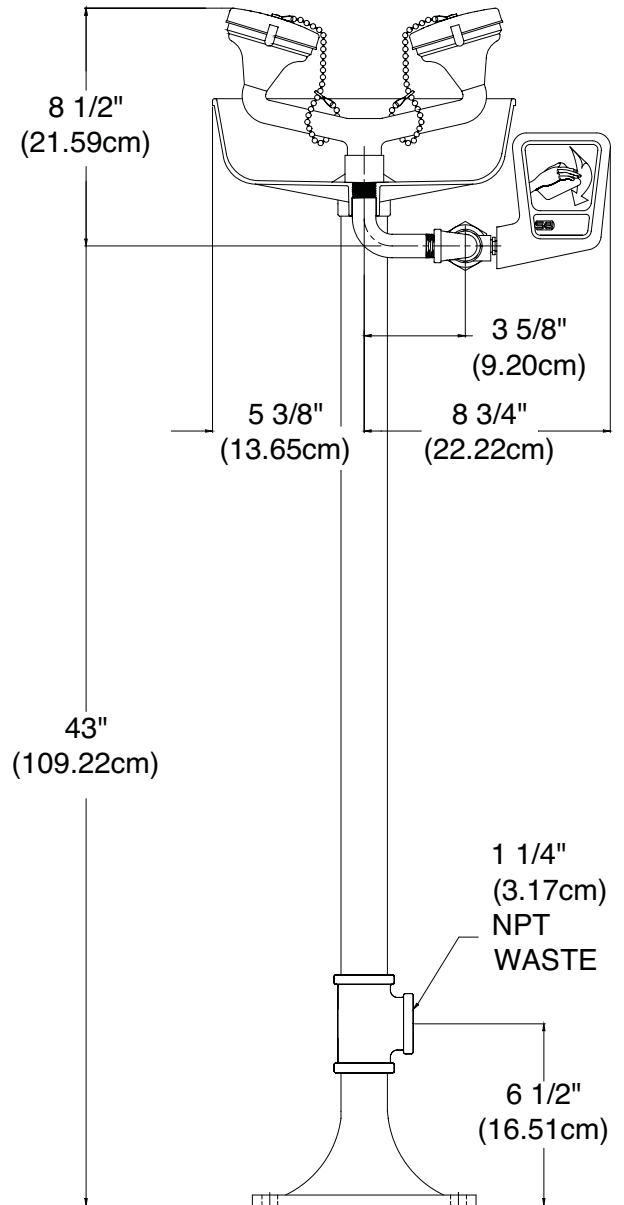
BOWL: High visibility ABS plastic Yello-Bowl®.

REGULATOR: Self-adjusting 8.0 gpm (30.3 lpm) regulator assures a constant and even dual stream flow pattern under varying hydraulic conditions.

SUPPLY: 1/2" NPT

WASTE: 1 1/4" NPT

WEIGHT: 25 lbs (11.34 kgs)



	MODEL #	DESCRIPTION
<input type="checkbox"/>	01035402	Unit as Specified