

**Encon**<sup>®</sup>  
**SAFETY PRODUCTS**  
**1-800-283-6266**  
**Phone: (713) 466-1449 Fax: (713) 466-1703**  
**E-Mail: customerservice@enconsafety.com**

ISO 9001  
 and Certified to  
 REGISTERED 2191

# EYE/FACEWASH WITH YELLO-BOWL<sup>®</sup>

PART NUMBER: 01035401

**SPECIFICATION:**

Third party certified to ANSI Z358.1, the eye/facewash shall deliver 8.0 gpm (30.3 lpm) @ 30/70 psi (206.8/482.6 kPa) of flowing pressure. Eye/Facewash shall provide a non-injurious stream of water for 15 minutes or longer. Unit shall be supplied with 1/2" chrome plated (CP) single motion activation stay open ball valve with CP ball. Eye/Facewash shall include stainless steel (SS) actuator with actuation graphic, 7" X 11" (17.8cm X 27.9cm) sign and tailpiece. Unit must be supplied with self-adjusting 8.0 gpm (30.3 lpm) regulator to assure a constant and even dual stream flow pattern under 30/70 psi (206.8/482.6 kPa) hydraulic conditions. Eye/Facewash heads with float off covers to be manufactured of UV resistant ABS plastic mounted in a high visibility ABS plastic Yello-Bowl<sup>®</sup>. Float off covers are secured with stainless steel bead chains and provided to inhibit dust and/or contamination when not in use. Eye/Facewash units with deteriorating screens or filters are not acceptable. Eye/Facewash shall be Encon Safety Products Model 01035401. For SS piping with SS valve and ball unit shall be model 01035407.

**MATERIALS OF CONSTRUCTION:**

**PIPING:** 1/2" Chrome plated brass.

**VALVES:** 1/2" Chrome plated bronze stay open ball valve with chrome plated ball, stainless steel valve stem and stainless steel push plate with actuation graphic.

**HEAD:** ABS plastic dual stream heads with ABS plastic float off covers secured with stainless steel bead chains.

**BOWL:** High visibility ABS plastic Yello-Bowl<sup>®</sup>.

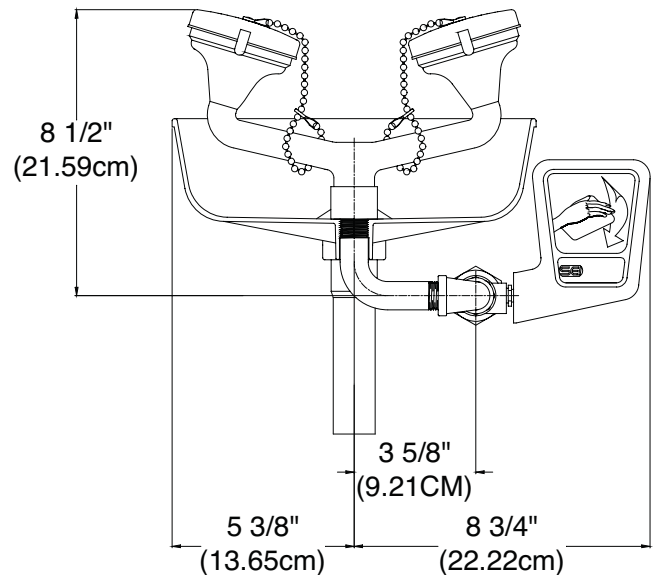
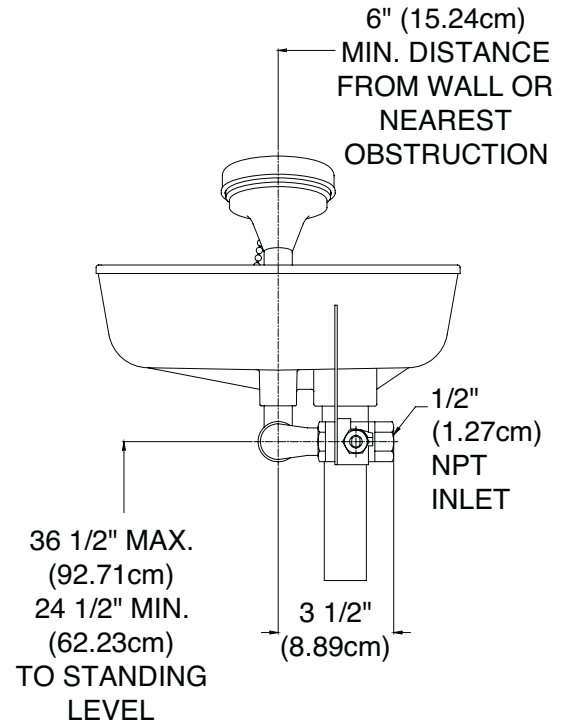
**REGULATOR:** Self-adjusting 8.0 gpm (30.3 lpm) regulator assures a constant and even dual stream flow pattern under varying hydraulic conditions.

**SUPPLY:** 1/2" NPT

**WASTE:** 1 1/4" x 6" (3.17cm X 15.24cm) long slip joint tailpiece.

**WEIGHT:** 6 lbs (2.72 kgs)

	MODEL #	DESCRIPTION
<input type="checkbox"/>	01035401	Unit as Specified
<input type="checkbox"/>	01035407	Unit with SS Piping, SS Valve and Ball



Doc. No: 01035401.2  
 Issue Date: 06/01/04  
 Sec: Eye/Face Washes