



1-800-283-6266

Phone: (713) 466-1449 Fax: (713) 466-1703

E-Mail: customerservice@enconsafety.com

EYEWASH W/YELLO-BOWL[®] AND WALL BRACKET

PART NUMBER: 01030401

SPECIFICATION:

Third party certified to ANSI Z358.1, the eyewash shall deliver 3.2 gpm (12.1 lpm) @ 30/70 psi (206.8/482.6 kPa) of flowing pressure. Eyewash shall provide a non-injurious stream of water for 15 minutes or longer. Unit shall be supplied with 1/2" chrome plated (CP) single motion activation stay open ball valve with CP ball. Eyewash shall include S/S actuator with actuation graphic, 7" X 11" (17.8cm X 27.9cm) sign, tailpiece and wall mounting bracket. Unit must be supplied with self-adjusting 3.2 gpm (12.1 lpm) regulator to assure a constant and even dual stream flow pattern under 30/70 psi (206.8/482.6 kPa) hydraulic conditions. Eyewash heads with float off covers to be manufactured of UV resistant ABS plastic mounted in a high visibility ABS plastic Yello-Bowl[®]. Float off covers are secured with stainless steel bead chains and provided to inhibit dust and/or contamination when not in use. Eyewash units that provide improper flow pattern or contain deteriorating screens/filters are not acceptable. Eyewash shall be Encon Safety Products Model 01030401. If optional strainer tee required, unit shall be Encon Safety Products Model 01030403. For S/S piping with S/S valve and ball unit shall be Model 01030407.

MATERIALS OF CONSTRUCTION:

PIPING: 1/2" Chrome plated brass.

VALVES: 1/2" Chrome plated bronze stay open ball valve with chrome plated ball, stainless steel valve stem and stainless steel push plate with actuation graphic. Strainer Tee Option: 1/2" BCP, 16 mesh

HEAD: ABS plastic dual stream heads with ABS plastic float off covers secured with stainless steel bead chains.

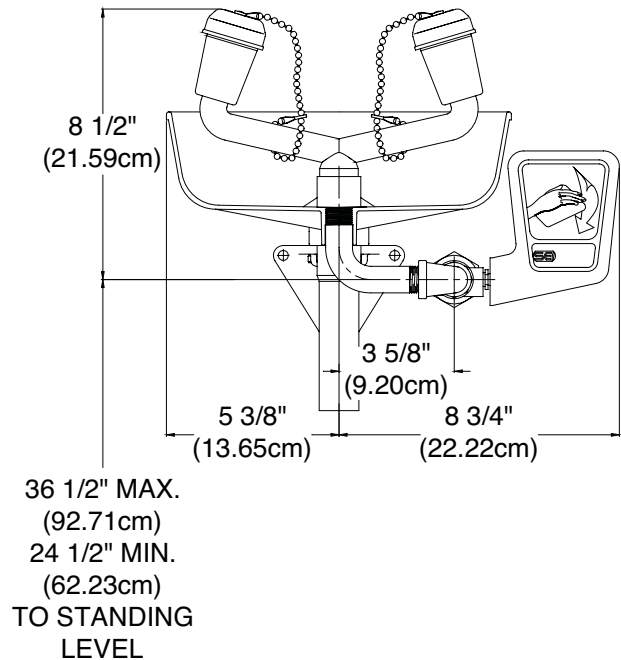
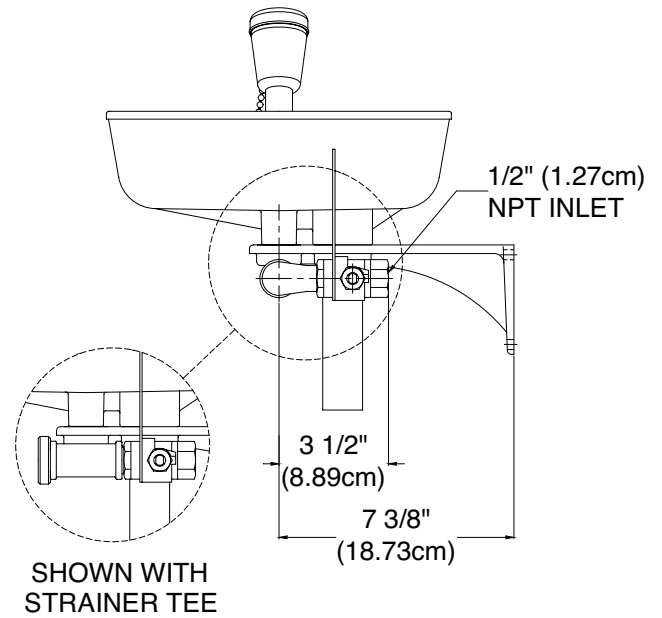
BOWL: High visibility ABS plastic Yello-Bowl[®] with wall mount bracket.

REGULATOR: Self-adjusting 3.2 gpm (12.1 lpm) regulator assures a constant and even dual stream flow pattern under varying hydraulic conditions.

SUPPLY: 1/2" NPT

WASTE: 1 1/4" x 6" (3.17cm X 15.24cm) long slip joint tailpiece.

WEIGHT: 6 lbs (2.72 kgs)



	MODEL #	DESCRIPTION
<input type="checkbox"/>	01030401	Unit as Specified
<input type="checkbox"/>	01030403	With strainer tee
<input type="checkbox"/>	01030407	Less strainer tee, with SS piping, SS valve and ball