



1-800-283-6266

Phone: (713) 466-1449 Fax: (713) 466-1703  
E-Mail: customerservice@enconsafety.com

# EYEWASH

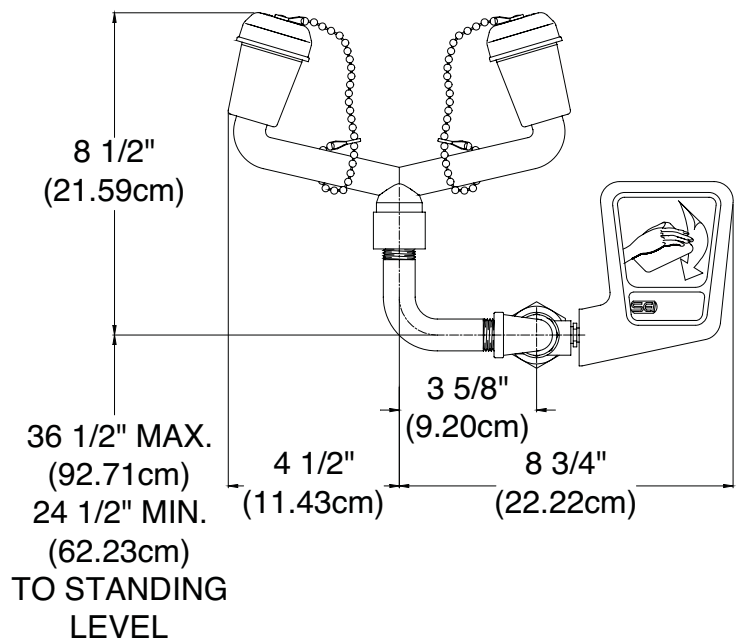
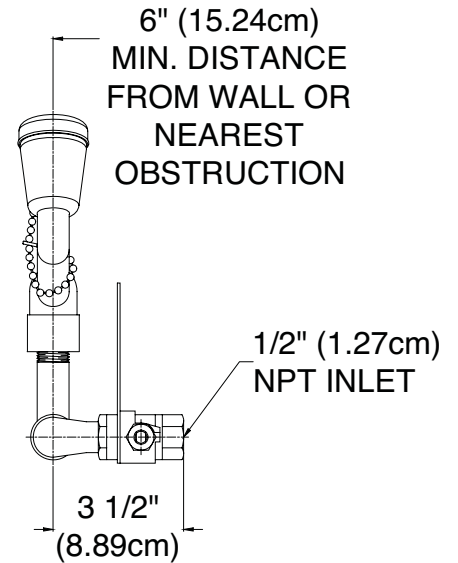
PART NUMBER: 01030101

**SPECIFICATION:**

Third party certified to ANSI Z358.1, the eyewash shall deliver 3.2 gpm (12.1 lpm) @ 30/70 psi (206.8/482.6 kPa) of flowing pressure. Eyewash shall provide a non-injurious stream of water for 15 minutes or longer. Unit shall be supplied with 1/2" chrome plated (CP) single motion activation stay open ball valve with CP ball. Eyewash shall include actuator with actuation graphic and 7" X 11" (17.8cm X 27.9cm) sign. Unit must be supplied with self-adjusting 3.2 gpm (12.1 lpm) regulator to assure a constant and even dual stream flow pattern under 30/70 psi (206.8/482.6 kPa) hydraulic conditions. Eyewash heads with float off covers to be manufactured of UV resistant ABS plastic. Float off covers are secured with stainless steel bead chains and provided to inhibit dust and/or contamination when not in use. Eyewash units that provide improper flow pattern or contain deteriorating screens/filters are not acceptable. Eyewash shall be Encon Safety Products Model 01030101.

**MATERIALS OF CONSTRUCTION:**

- PIPING:** 1/2" Chrome plated brass.
- VALVES:** 1/2" Chrome plated bronze stay open ball valve with chrome plated ball, stainless steel valve stem and stainless steel push plate with actuation graphic.
- HEAD:** ABS plastic dual stream heads with ABS plastic float off covers secured with stainless steel bead chains.
- REGULATOR:** Self-adjusting 3.2 gpm (12.1 lpm).
- SUPPLY:** 1/2" NPT
- WEIGHT:** 4 lbs (1.81 kgs)



	MODEL #	DESCRIPTION
<input type="checkbox"/>	01030101	Unit as Specified