



1-800-283-6266

Phone: (713) 466-1449 Fax: (713) 466-1703

E-Mail: customerservice@enconsafety.com

# COMBINATION SHOWER/ EYEWASH WITH SS BOWL PART NUMBER: 01050230

## SPECIFICATION:

Third party certified to ANSI Z358.1, the combination shower and eyewash shall deliver 30 gpm (113.6 lpm) @ 30/70 psi (206.8/482.6 kPa) of flowing pressure from the shower head and 2.4 gpm (9.1 lpm) @ 30/70 psi (206.8/482.6 kPa) of flowing pressure from the eyewash. Unit shall provide a non-injurious stream of water for 15 minutes or longer. Combination unit shall be supplied with chrome plated (CP) bronze single motion activation stay open ball valves with CP balls. Valve sizes: shower 1", eyewash 1/2". Unit shall include SS actuators with actuation graphics, type 304 S/S bowl, schedule 80 hot galvanized steel piping and 1 1/4" supply/waste connection with flanged floor mounting plate for free-standing installation. Shower head shall be supplied with self-adjusting 30 gpm (113.6 lpm) regulator. Eyewash to be supplied with self-adjusting 2.4 gpm (9.1 lpm) regulator to assure a constant and even dual stream flow pattern under 30/70 psi (206.8/482.6 kPa) hydraulic conditions. Shower head to be manufactured of UV resistant high visibility yellow ABS plastic. Shower head must deliver a minimum of 20" (50.8 cm) diameter pattern to the target area 60" (152.4 cm) above standing level. Eyewash heads with integral hinged covers to be manufactured of solvent resistant acetal mounted on a chrome plated brass wye in a type 304 SS bowl. Eyewash covers are provided to inhibit dust and/or contamination when not in use. Combination units that provide improper flow pattern or contain deteriorating screens/filters are not acceptable. Combination unit shall be Encon Safety Products Model 01050230. If optional in line strainer tee required, unit shall be Model 01050231.

## MATERIALS OF CONSTRUCTION:

**PIPING:** Schedule 80 hot dip galvanized steel.

**VALVES:** Chrome plated bronze stay open ball valves with chrome plated balls, stainless steel valve stems, stainless steel push plate with actuation graphic (eyewash) and stainless steel pull rod with actuation graphic (shower).  
Valve sizes: shower 1", eyewash 1/2".

**SHOWER HEAD:** Yellow ABS plastic shower head.

**EYEWASH HEAD:** Acetal plastic dual stream heads with integral hinged covers and chrome plated brass wye assembly.

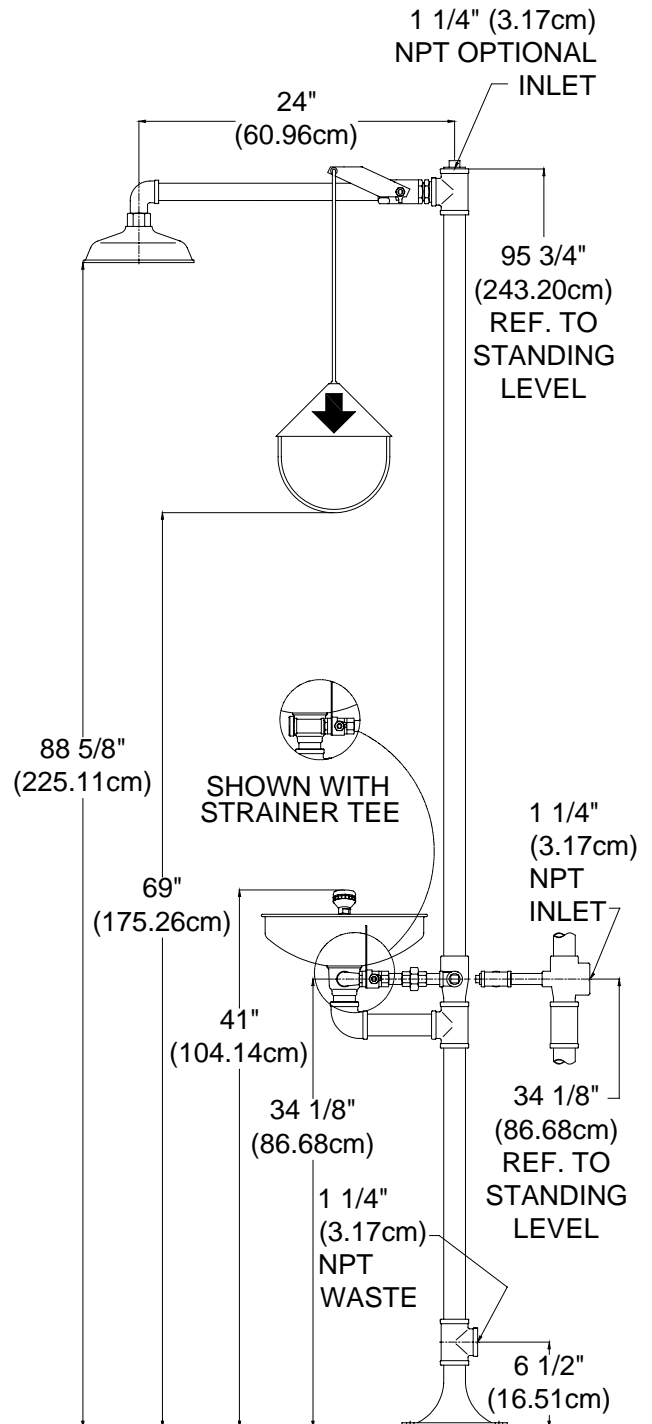
**BOWL:** Type 304 stainless steel.

**REGULATOR:** Self adjusting 30 gpm (113.6 lpm) shower and (2) 1.2 gpm (4.5 lpm) eyewash regulators.

**SUPPLY:** 1 1/4" NPT

**WASTE:** 1 1/4" NPT

**WEIGHT:** 60 lbs (27.21 kgs)



MODEL #	DESCRIPTION
01050230	Unit as Specified
01050231	With strainer tee