

**Encon**<sup>®</sup>  
SAFETY PRODUCTS

1-800-283-6266

Phone: (713) 466-1449 Fax: (713) 466-1703  
E-Mail: customerservice@enconsafety.com



# COMBINATION SHOWER/EYE/FACEWASH WITH YELLO-BOWL<sup>®</sup>

PART NUMBER: 01050216

**SPECIFICATION:**

Third party certified to ANSI Z358.1, the combination shower and eye/facewash shall deliver 30 gpm (113.6 lpm) @ 30/70 psi (206.8/482.6 kPa) of flowing pressure from the shower head and 8.0 gpm (30.3 lpm) @ 30/70 psi (206.8/482.6 kPa) of flowing pressure from the eye/facewash. Unit shall provide a non-injurious stream of water for 15 minutes or longer. Combination unit shall be supplied with chrome plated (CP) bronze single motion activation stay open ball valves with CP balls. Valve sizes: shower 1", eye/facewash 1/2". Unit shall include SS actuators with actuation graphics, schedule 80 hot dip galvanized piping and 1 1/4" supply/drain connection with flanged floor mounting plate for free-standing installation. Shower head shall be supplied with self-adjusting 30 gpm (113.6 lpm) regulator. Eye/Facewash to be supplied with self-adjusting 8.0 gpm (30.3 lpm) regulator to assure constant even flow under 30/70 psi (206.8/482.6 kPa) hydraulic conditions. Shower head to be manufactured of UV resistant high visibility yellow ABS plastic. Shower head must deliver a minimum of 20" (50.8cm) diameter pattern to the target area 60" (152.4cm) above standing level. Eye/Facewash heads with float off covers to be manufactured of UV resistant ABS plastic mounted in a high visibility ABS Yello-Bowl<sup>®</sup>. Float off covers are secured with stainless steel bead chains and provided to inhibit dust and/or contamination when not in use. Combination units that provide improper flow pattern or contain deteriorating screens/filters are not acceptable. Combination unit shall be Encon Safety Products Model 01050216. If optional strainer tee required, unit shall be Encon Safety Products Model 01050218. For optional 20 gpm (75.7 lpm) shower head unit shall be Encon Safety Products Model 01050260. If optional corrosion resistant Polane<sup>®</sup> coated galvanized piping required, unit shall be Encon Safety Products Model 01050228.

**MATERIALS OF CONSTRUCTION:**

**PIPING:** Schedule 80 hot dip galvanized steel.

**VALVES:** Chrome plated bronze stay open ball valves with chrome plated balls, stainless steel valve stems, stainless steel push plate with actuation graphic (eye/facewash) and stainless steel pull rod assembly with actuation graphic (shower). Valve size: shower 1", eye/facewash 1/2". Strainer Tee Option: 1/2" BCP, 16 mesh

**SHOWER HEAD:** Yellow ABS plastic shower head.

**EYE/FACEWASH HEAD:** ABS plastic dual stream heads with ABS plastic float off covers secured with stainless steel bead chains.

**BOWL:** High visibility ABS plastic Yello-Bowl<sup>®</sup>.

**POLANE<sup>®</sup> COATING OPTION:** Corrosion-resistant polyurethane enamel coating, ABS yellow, high visibility.

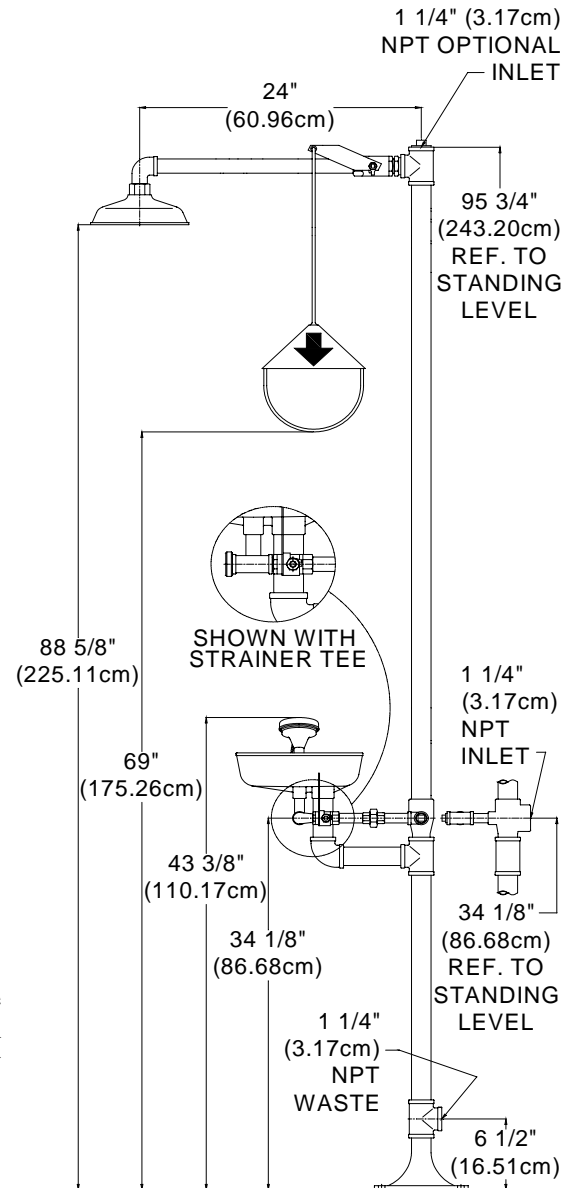
**REGULATOR:** Self adjusting 30 gpm (113.6 lpm) shower and 8.0 gpm (30.3 lpm) eye/facewash regulators.

**SUPPLY:** 1 1/4" NPT

**WASTE:** 1 1/4" NPT

**WEIGHT:** 59 lbs (26.76 kgs)

Polane<sup>®</sup> is polyurethane enamel and a registered trademark of Sherwin Williams.



	MODEL #	DESCRIPTION
	01050216	Unit as Specified
	01050218	With strainer tee
	01050260	Less strainer tee, with 20 gpm shower head
	01050228	Less strainer tee, with Polane <sup>®</sup> Coating (Yellow)