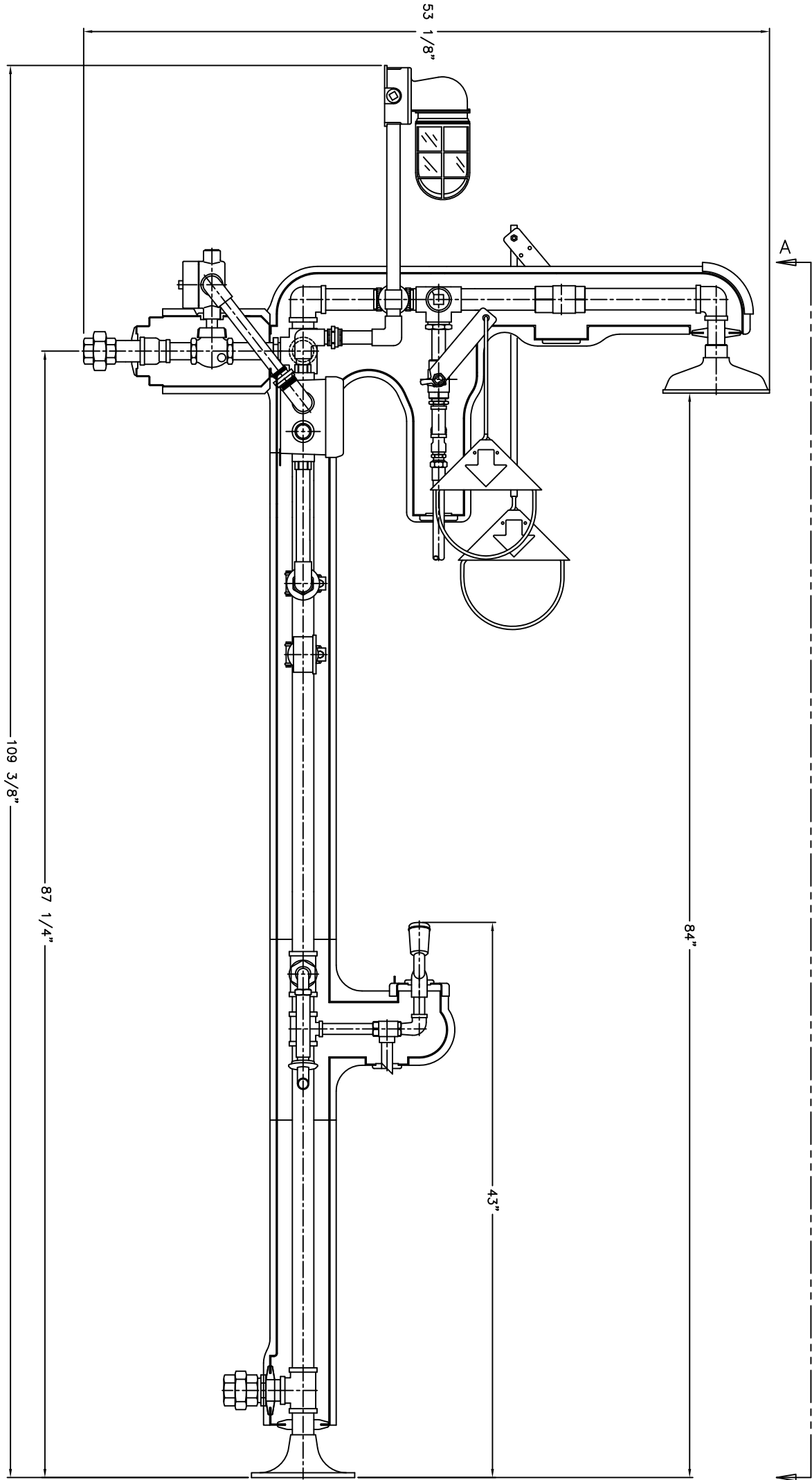
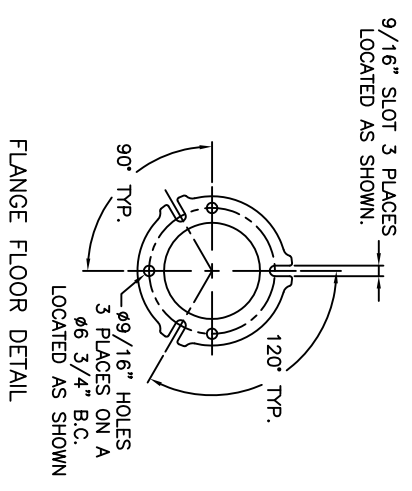


VIEW A-A
FRONT VIEW



Encon SAFETY PRODUCTS 8825 W. SUE HENDERSON PARKWAY N. HOUSTON, TEXAS 77044 PHONE: (713) 466-1449 FAX: (713) 466-1819		STANDARD TOLERANCES UNLESS OTHERWISE SPECIFIED XXX DECIMALS ±.005 FRACTIONS ± 1/32" XX DECIMALS ±.015 RADIUS CORNERS 1/16" X DECIMALS ±.030 BREAK ALL EDGES .010/.015 ANGLES ± 1°		SPECIAL NOTES: CLASS 1 DW, 2 GRP, A,B,C,D VOLT CLASS II DW, 2 GRP, G 120 VOLT SPECIAL TOLERANCES:	
THIS DRAWING & ALL INFORMATION CONTAINED HEREIN IS THE SOLE & EXCLUSIVE PROPERTY OF ENCON SAFETY PRODUCTS CO. REPRODUCTION IN WHOLE OR IN PART WITHOUT THE EXPRESSED WRITTEN AUTHORIZATION FROM ENCON IS FORBIDDEN.	BR: VRG CHK: N/A APP: N/A M.C.: N/A ERF#: N/A SHEET #: 1	DATE: 9/9/11 DATE: N/A DATE: N/A DATE: N/A SCALE: 3/16	TITLE: FLOW 120V ESRW/DRENCH HOSE 30GPM, 1-1/2NPT, GRN TOP AREA LGT, HM,FRZ/SC,FLO SW(TOP),GRN ABS CYR PDI: TF3603703102 DWG. #: TF3603703102	REV.: A	