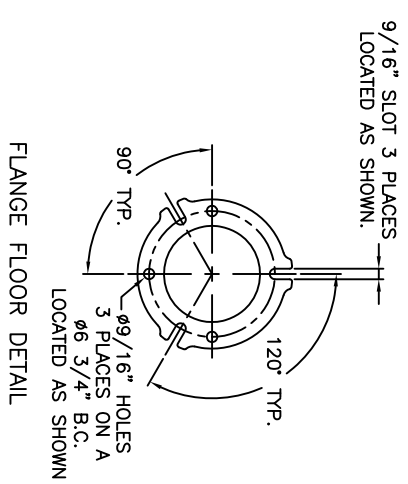
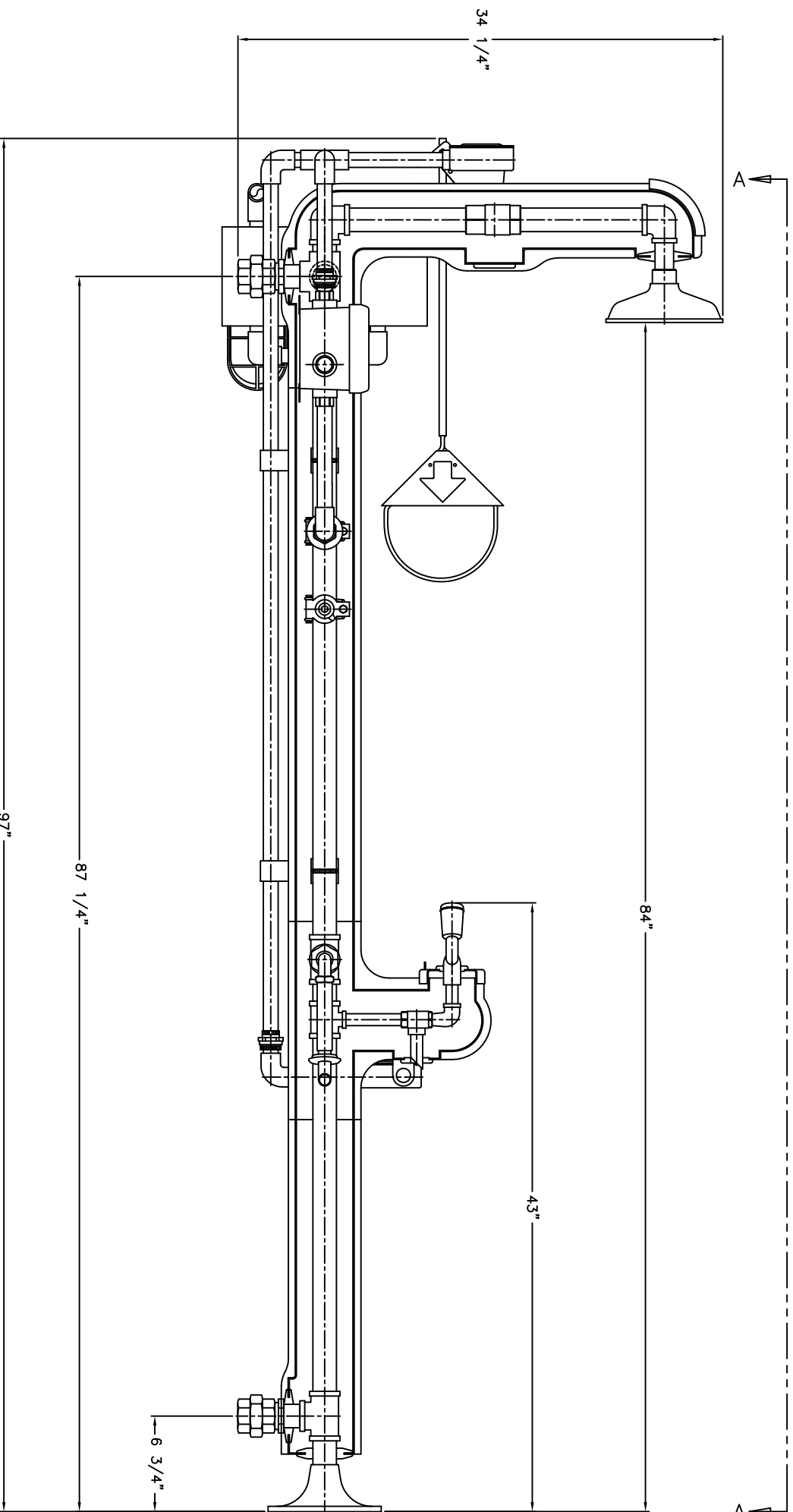


**VIEW A-A**  
FRONT VIEW



FLANGE FLOOR DETAIL



<b>Encon</b> SAFETY PRODUCTS 8825 W. SUE ROBERTSON PARKWAY N. HOUSTON, TEXAS 77044 PHONE: (713) 466-1449 FAX: (713) 466-1819		STANDARD TOLERANCES UNLESS OTHERWISE SPECIFIED XXX DECIMALS ±.005 FRACTIONS ± 1/32" XX DECIMALS ±.015 RADIUS CORNERS 1/16" X DECIMALS ±.030 BREAK ALL EDGES .010/.015 ANGLES ± 1° BREAK ALL EDGES .010/.015	
THIS DRAWING & ALL INFORMATION CONTAINED HEREIN IS THE SOLE & EXCLUSIVE PROPERTY OF ENCON SAFETY PRODUCTS CO. REPRODUCTION IN WHOLE OR IN PART WITHOUT THE EXPRESSED WRITTEN AUTHORIZATION FROM ENCON IS FORBIDDEN.		SPECIAL NOTES: CLASS 1 DIV. 2 GRP. A,B,C,D CLASS 2 DIV. 2 GRP. 6 120 VOLT SPECIAL TOLERANCES:	
BY: VRG CHK.: N/A APP.: N/A M.C.: N/A ERF#: N/A SHEET #: 1 OF 3	DATE: 10/28/09 DATE: N/A DATE: N/A DATE: N/A DATE: N/A	TITLE: FLOW 120V W/EYEWASH 300PM,1-1/2NPT,FRZ/SC VALVE, BELL/LGT MAP SW,YEL ABS CVR PDI: TF36A0352300 DWG. #: TF36A0352300	REV.: B