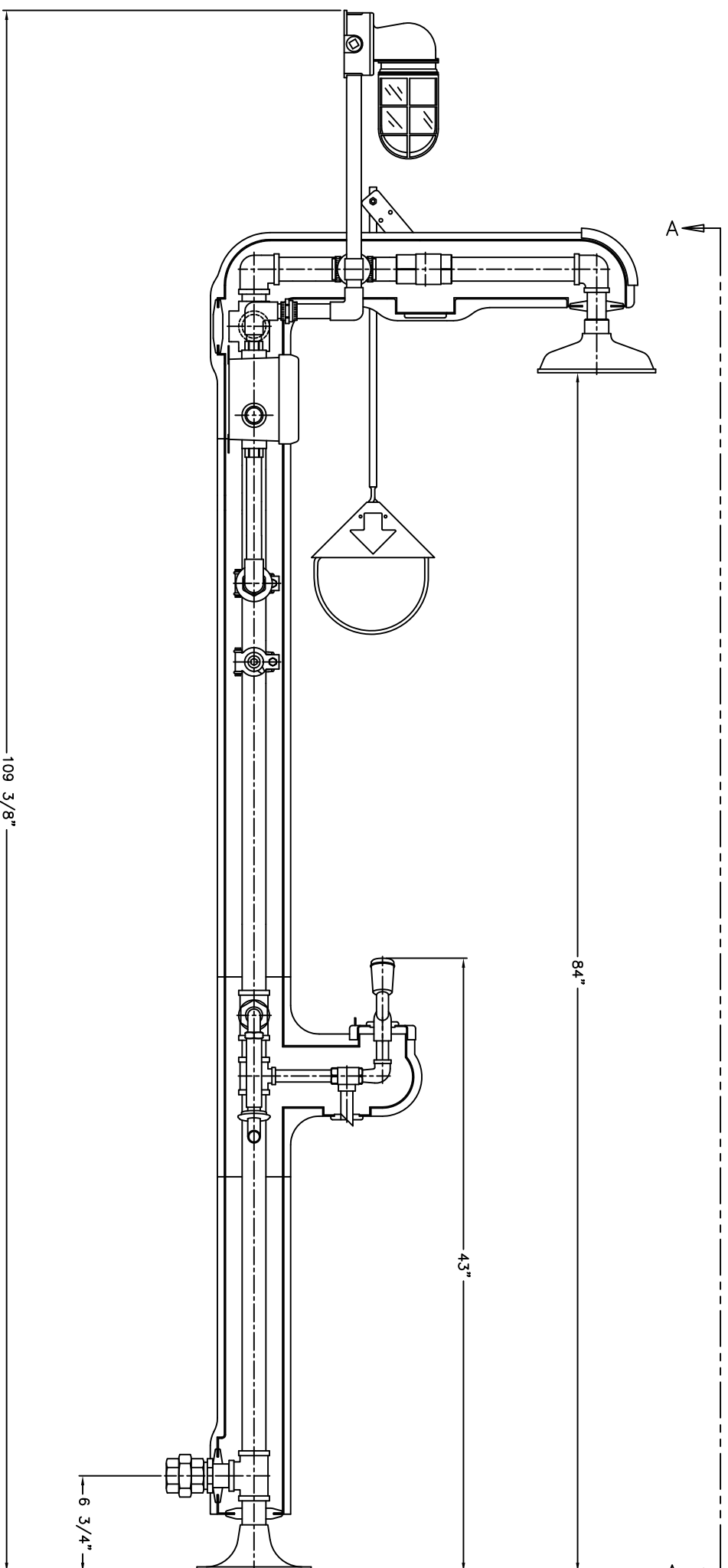
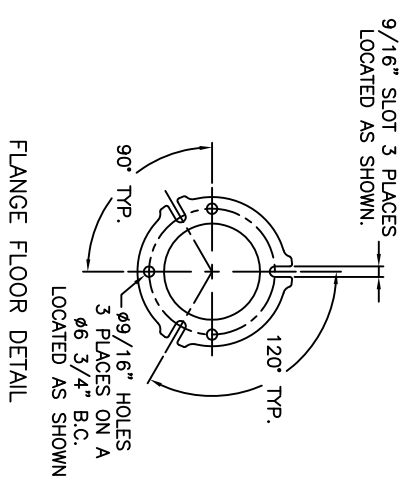


VIEW A-A
FRONT VIEW



Engoon SAFETY PRODUCTS 8825 W. SUE ROBERTSON PARKWAY N. HOUSTON, TEXAS 77044 PHONE: (713) 466-1449 FAX: (713) 466-1819		STANDARD TOLERANCES UNLESS OTHERWISE SPECIFIED XXX DECIMALS ±.005 FRACTIONS ± 1/32" XX DECIMALS ±.015 RADIUS CORNERS 1/16" X DECIMALS ±.030 BREAK ALL EDGES .010/.015 ANGLES ± 1°		SPECIAL NOTES: CLASS 1 DIV. 2 GRP. A,B,C,D CLASS 2 DIV. 2 GRP. 6 120 VOLT SPECIAL TOLERANCES:		BY: V.GREIFTH DATE: 09-18-08 TITLE: FLOW 120V W/EYEWASH CHK: DATE: 30GPM, 1-1/2NPT, GRN TOP AREA LGT. APP: DATE: FRZ/SC VALVE, YEL ABS CVR M.C.: DATE: EPF#: DATE: SHEET #: 1 SCALE: 3/16 PDR: TF35A3303000 DWG. #: TF35A3303000 REV.: A	
--	--	---	--	--	--	---	--

THIS DRAWING & ALL INFORMATION CONTAINED HEREIN IS THE SOLE & EXCLUSIVE PROPERTY OF ENGOON SAFETY PRODUCTS CO. REPRODUCTION IN WHOLE OR IN PART WITHOUT THE EXPRESSED WRITTEN AUTHORIZATION FROM ENGOON IS FORBIDDEN.