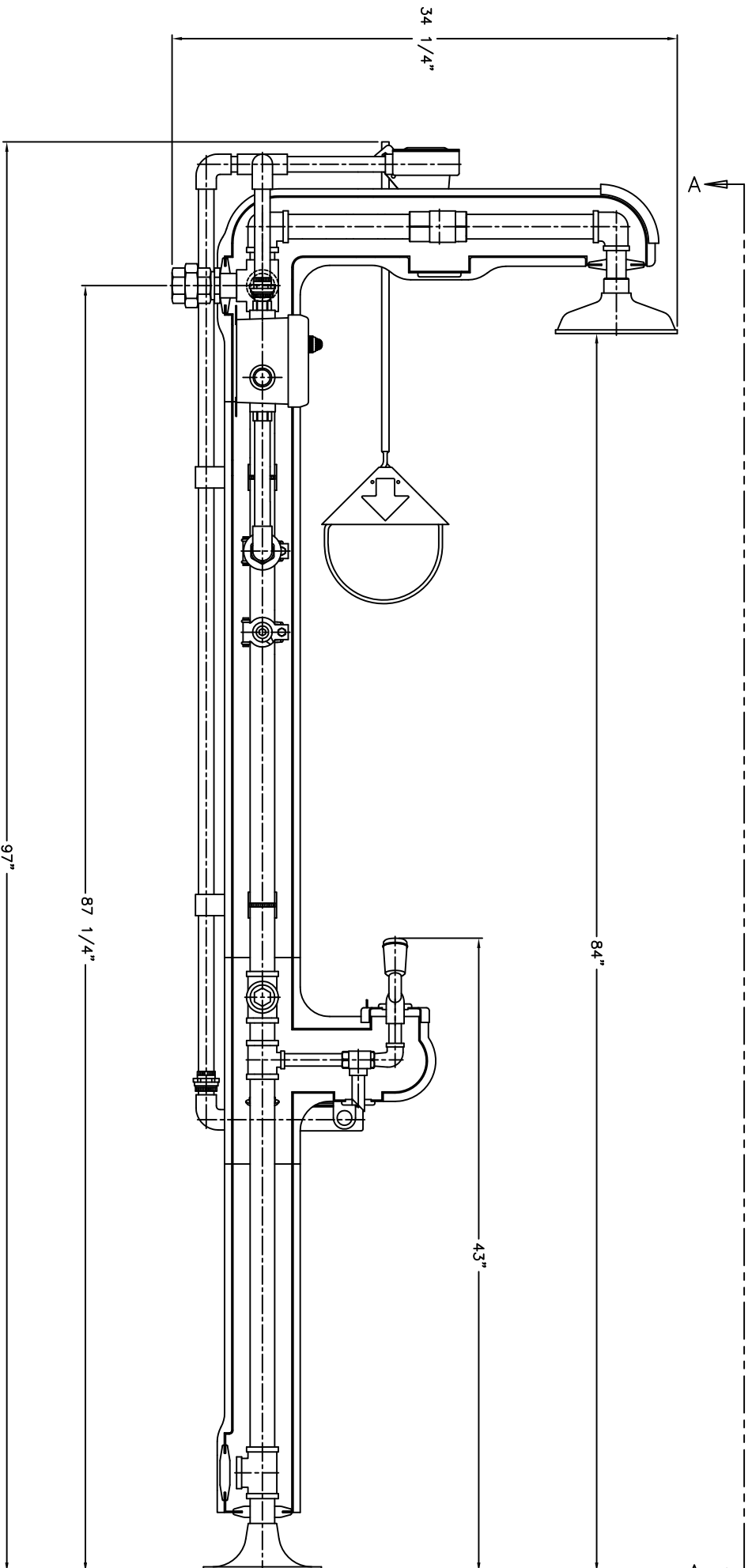
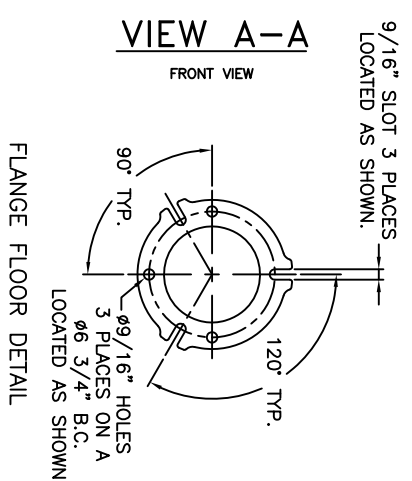


**VIEW A-A**  
FRONT VIEW



<b>Engoon</b> SAFETY PRODUCTS 8825 W. SUE ROBERTSON PARKWAY N. HOUSTON, TEXAS 77064 PHONE: (713) 466-1449 FAX: (713) 466-1819		STANDARD TOLERANCES UNLESS OTHERWISE SPECIFIED XX DECIMALS ±.005 FRACTIONS ± 1/32" XX DECIMALS ±.015 RADIUS CORNERS 1/16" X ANGLES ± 1° BREAK ALL EDGES .010/.015		SPECIAL NOTES: CLASS 1 DW. 2 GRP. A,B,C,D CLASS 2 DW. 2 GRP. G 120 VOLT SPECIAL TOLERANCES:		BY: VRG CHK: N/A APP: N/A M.C.: N/A ERF#: N/A SHEET #: 1		DATE: 9/9/11 DATE: N/A DATE: N/A DATE: N/A		TITLE: FLOW 120V W/EYEWASH 20GPM, 1-1/2NPT, SCALD VALVE, MAP SWITCH, GRN ABS CVR	
THIS DRAWING & ALL INFORMATION CONTAINED HEREIN IS THE SOLE & EXCLUSIVE PROPERTY OF ENGOON SAFETY PRODUCTS CO. REPRODUCTION IN WHOLE OR IN PART WITHOUT THE EXPRESSED WRITTEN AUTHORIZATION FROM ENGOON IS FORBIDDEN.						PDI: TF3482200302 DWG. #: TF3482200302		SCALE: 3/16		REV.: A	