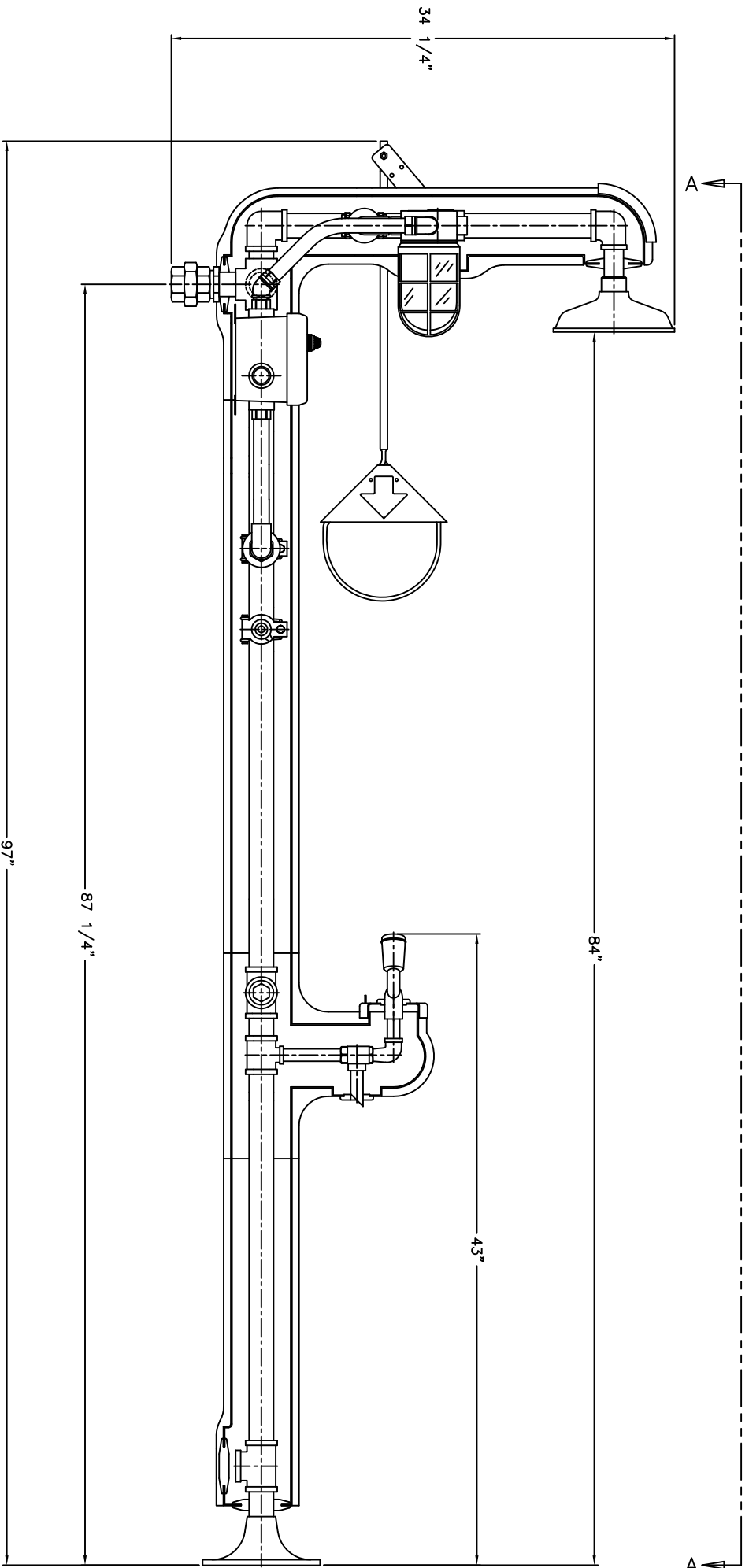
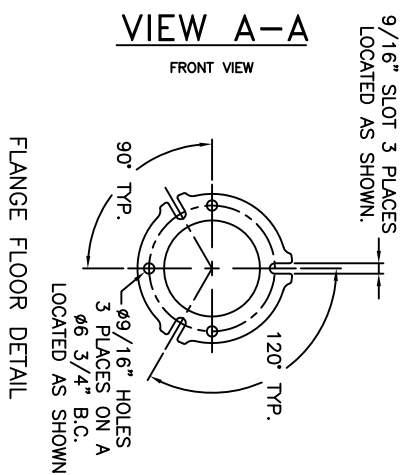


VIEW A-A  
FRONT VIEW



<b>Engoon</b> SAFETY PRODUCTS 8825 W. SUE ROBERTSON PARKWAY N. HOUSTON, TEXAS 77064 PHONE: (713) 466-1449 FAX: (713) 466-1819		STANDARD TOLERANCES UNLESS OTHERWISE SPECIFIED XXX DECIMALS ±.005 FRACTIONS ± 1/32" XX DECIMALS ±.015 RADIUS CORNERS 1/16" X DECIMALS ±.030 ANGLES ± 1° BREAK ALL EDGES 010/015		SPECIAL NOTES: CLASS 1 DIV. 2 GRP. A,B,C,D CLASS 2 DIV. 2 GRP. 6 120 VOLT SPECIAL TOLERANCES:		BY: VGR/FTTH DATE: 11-29-05 TITLE: FLOW 120V W/EYEWASH CHK.: N/A DATE: N/A 306PM,1-1/2NPT,GRN SIDE AREA LGT, APP.: N/A DATE: N/A HTL,GRN ABS CVR M.C.: N/A DATE: N/A EFF#: N/A SHEET #: 1 SCALE: 3/16 PDR: TF3444003002 DWG. #: TF3444003002 REV.: A	
--	--	--	--	--	--	--	--

THIS DRAWING & ALL INFORMATION CONTAINED HEREIN IS THE SOLE & EXCLUSIVE PROPERTY OF ENGOON SAFETY PRODUCTS CO. REPRODUCTION IN WHOLE OR IN PART WITHOUT THE EXPRESSED WRITTEN AUTHORIZATION FROM ENGOON IS FORBIDDEN.