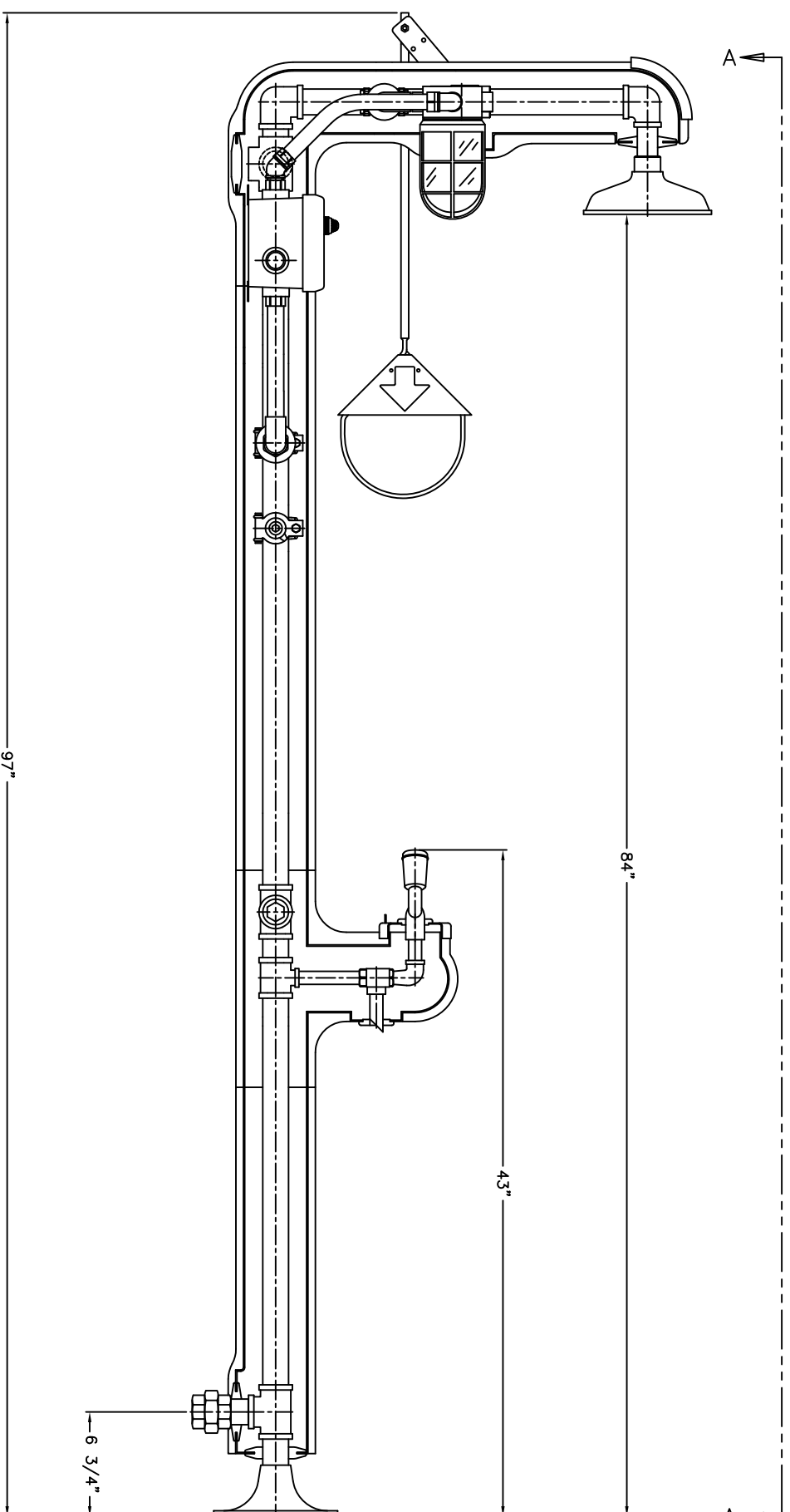
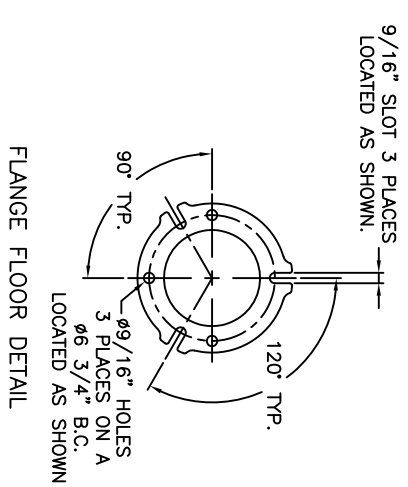


**VIEW A-A**  
FRONT VIEW



<b>Engoon</b> SAFETY PRODUCTS 8825 W. SUE ROBERTSON PARKWAY N. HOUSTON, TEXAS 77044 PHONE: (713) 466-1449 FAX: (713) 466-1819		STANDARD TOLERANCES UNLESS OTHERWISE SPECIFIED XXX DECIMALS ±.005 FRACTIONS ± 1/32" XX DECIMALS ±.015 RADIUS CORNERS 1/16" X DECIMALS ±.030 BREAK ALL EDGES .010/.015 ANGLES ± 1° BREAK ALL EDGES .010/.015	
THIS DRAWING & ALL INFORMATION CONTAINED HEREIN IS THE SOLE & EXCLUSIVE PROPERTY OF ENGOON SAFETY PRODUCTS CO. REPRODUCTION IN WHOLE OR IN PART WITHOUT THE EXPRESSED WRITTEN AUTHORIZATION FROM ENGOON IS FORBIDDEN.		SPECIAL NOTES: CLASS 1 DIV. 2 GRP. A,B,C,D CLASS 2 DIV. 2 GRP. 6 120 VOLT SPECIAL TOLERANCES:	
BY: VRG	DATE: 10-30-07	TITLE: FLOW 120V W/EYEWASH	
CHK: N/A	DATE: N/A	30GPM, 1-1/4NPT WHT SIDE AREA LGT.	
APP: N/A	DATE: N/A	H11, YEL ABS CVR	
M.C.: N/A	DATE: N/A		
EFF#: N/A			
SHEET #: 1	SCALE: 3/16	DWG. #: TF32A4001000	REV.: A