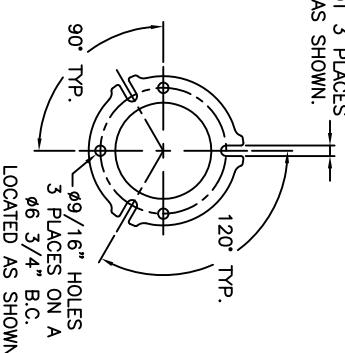
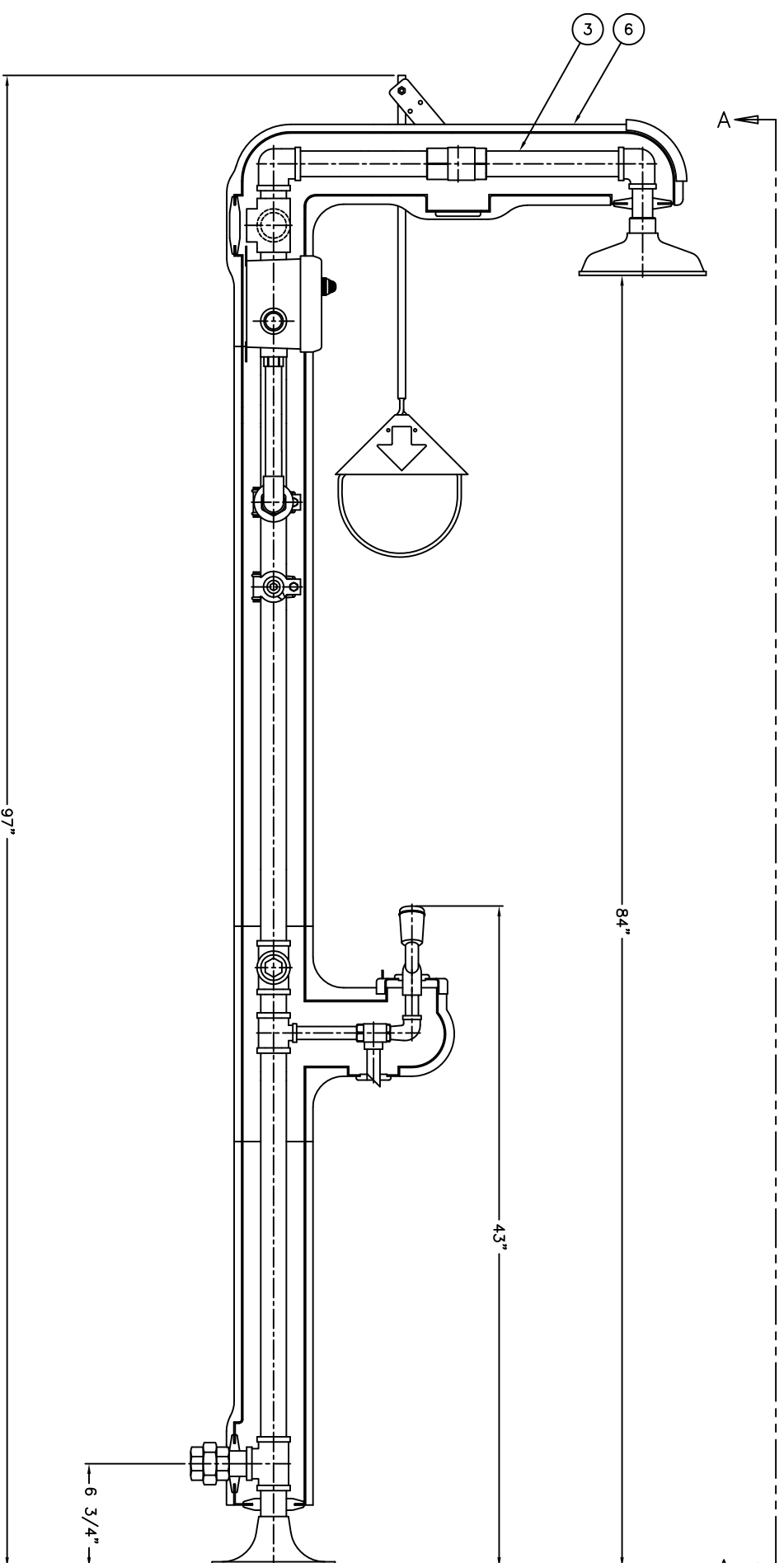


VIEW A-A
FRONT VIEW

9/16" SLOT 3 PLACES
LOCATED AS SHOWN.



FLANGE FLOOR DETAIL



| | | | | | | | | | | | |
|--|--|---|--|--|--|---|--|---|--|---|--|
| Engoon SAFETY PRODUCTS 8825 W. SUE ROBERTSON PARKWAY N. HOUSTON, TEXAS 77044 PHONE: (713) 466-1449 FAX: (713) 466-1819 | | STANDARD TOLERANCES UNLESS OTHERWISE SPECIFIED XXX DECIMALS ±.005 FRACTIONS ± 1/32" XX DECIMALS ±.015 RADIUS CORNERS 1/16" X DECIMALS ±.030 BREAK ALL EDGES 010/015 ANGLES ± 1° | | SPECIAL NOTES: CLASS 1 DIV. 2 GRP. A,B,C,D CLASS 2 DIV. 2 GRP. 6 120 VOLT SPECIAL TOLERANCES: | | BR: VRG CHK: N/A APP: N/A M.C.: N/A ERF#: N/A SHEET #: 1 | | DATE: 9/9/11 DATE: N/A DATE: N/A DATE: N/A | | TITLE: FLOW 120V W/EYEWASH 30CPM, 1-1/4NPT, TEL ABS CVR | |
| THIS DRAWING & ALL INFORMATION CONTAINED HEREIN IS THE SOLE & EXCLUSIVE PROPERTY OF ENGOON SAFETY PRODUCTS CO. REPRODUCTION IN WHOLE OR IN PART WITHOUT THE EXPRESSED WRITTEN AUTHORIZATION FROM ENGOON IS FORBIDDEN. | | | | | | SCALE: 3/16 | | PDR: TF32A2000000 DWG. #: TF32A2000000 | | REV.: A | |