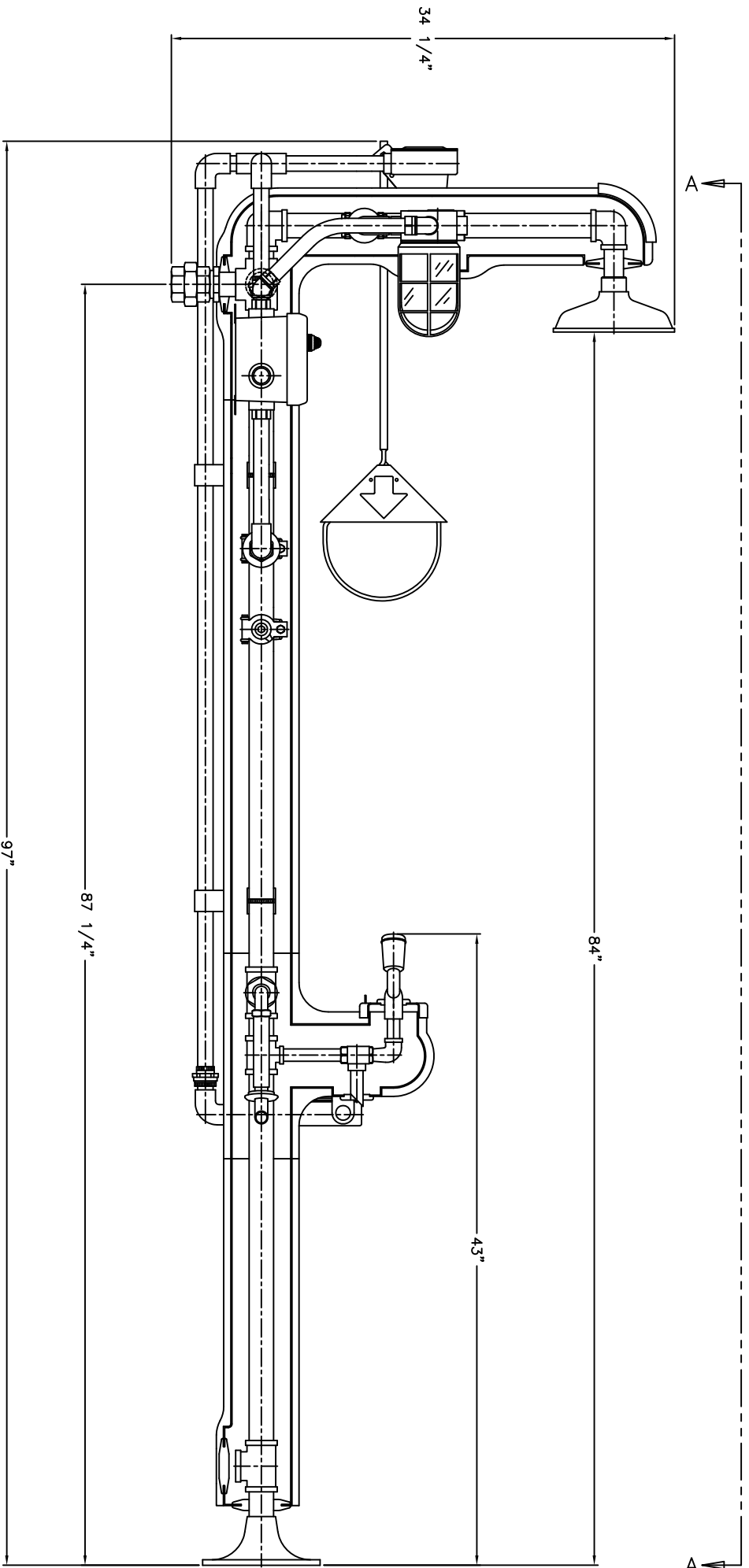
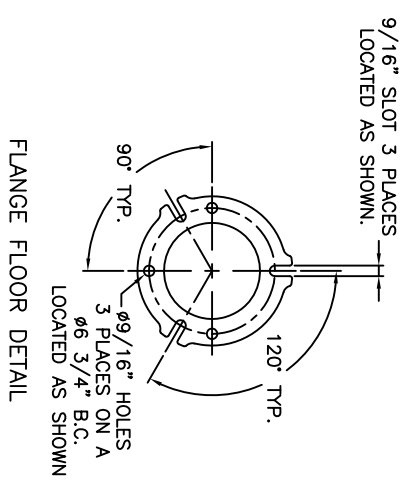


VIEW A-A
FRONT VIEW



Engoon SAFETY PRODUCTS 8825 W. SUE ROBERTSON PARKWAY N. HOUSTON, TEXAS 77044 PHONE: (713) 466-1449 FAX: (713) 466-1819		STANDARD TOLERANCES UNLESS OTHERWISE SPECIFIED XXX DECIMALS ±.005 FRACTIONS ± 1/32" XX DECIMALS ±.015 RADIUS CORNERS 1/16" X DECIMALS ±.030 ANGLES ± 1° BREAK ALL EDGES 010/015	
THIS DRAWING & ALL INFORMATION CONTAINED HEREIN IS THE SOLE & EXCLUSIVE PROPERTY OF ENCOON SAFETY PRODUCTS CO. REPRODUCTION IN WHOLE OR IN PART WITHOUT THE EXPRESSED WRITTEN AUTHORIZATION FROM ENCOON IS FORBIDDEN.		SPECIAL NOTES: NEMA4 120 VOLT	
SPECIAL TOLERANCES: NONE		TITLE: FLOW 120V W/EYEWASH 200PM, 1-1/2NPT WHT SIDE AREA LGT, HTL FTZ VALVE MAP SW GRN ABS CVR PDR: TF1484101302 DWG. #: TF1484101302 REV.: A	
BR: VRG CHK: N/A APP: N/A M.C.: N/A ERF#: N/A SHEET #: 1	DATE: 9/9/11 DATE: N/A DATE: N/A DATE: N/A SCALE: 3/16	REV.: A	