

**PROTECTIVE WALL CABINET
MODEL: WC SERIES****PRODUCTION DESCRIPTION**

The WC series wall cabinet is constructed from chemical resistant ABS structural foam plastic with corrosion resistant external metal components and internal hardware. The wall cabinet offers the versatility to accommodate emergency, fire or personal protective equipment from harsh environments.

ASSEMBLY AND INSTALLATION INSTRUCTIONS**CAUTION NOTES:**

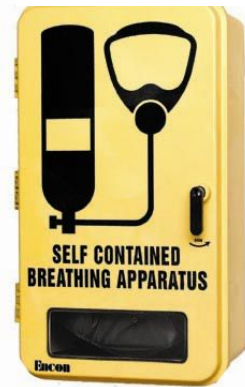
- 1) Adequate surface mount support of wall or stud is essential.
- 2) Suitable anchorage is required for weight of storage equipment.

NOTES:

- 1) Surface mounting hardware is not included. A minimum 5/16" diameter mounting hardware is recommended.
- 2) Hardware should be anchored to mounting surface from inside the cabinet.
- 3) Do not use the raised bosses for surface mounting. Raised bosses are for fastening internal hardware only.
- 4) To prevent wall cabinet damage, appropriate mounting bolts should be used in conjunction with minimum 1 3/4" O.D. washers when mounting holes are drilled directly through the wall cabinet.
- 5) When using a power tool, care should be taken to avoid over-tightening of screws and damage to cabinet.
- 6) Determine the surface location upon which the wall cabinet is to be mounted. Adequate surface mount support of wall or stud is essential. Cabinet will require an unobstructed area 45-5/8" wide by 37 3/4" high. Swing of door clearance is 33 3/4". Refer to **Figures 1 & 2**, page 3.
- 7) Mark mounting area:
 - a. Place wall cabinet against the surface upon which it is to be mounted.
 - b. User should determine height placement of the wall cabinet. Stored equipment should be considered when establishing desired height.
 - c. Mark the mounting surface inside rear of cabinet where the holes are to be drilled.
 - d. It is recommended that the drilled holes be a minimum of 5/16" diameter and positioned as close to the top and bottom of cabinet as possible.
- 8) Attach wall cabinet to mounting surface using appropriate mounting hardware (not included).
- 9) When surface mounting of the cabinet is complete, place the desired equipment for storage.
- 10) SCBA retention kit installation instructions (if applicable): For standard SCBA strap retention kit, proceed with **Step 6**. For stainless steel SCBA retention kit, proceed with **Step 7**.
- 11) **Standard SCBA strap retention kit only** - Kit consists of two (2) retainer straps [one short & one long], five (5) 3/8" self-tapping screws, and three (3) foam blocks. Refer to **Figure 3** on page 3.
 - a. Determine placement of retention kit. Refer to strap configuration **Step b** below.

NOTE: It is important that the retainer straps do not interfere with the breathing apparatus shoulder straps. To obtain an unobstructed access to the breathing apparatus, it is recommended that the straps be positioned above the shoulder straps on the vessel of the apparatus.
 - b. Retainer strap configuration to wall cabinet: (Refer to **Figure 2** on page 3)
 - i. Short retainer strap: Place double grommets to raised bosses on right side of wall cabinet with the Velcro[®] fabric side facing to the right panel side of the cabinet. Attach with two self-tapping screws (provided) using a hand tool **only**. Do not attach to the two upper most raised bosses.
 - ii. Long retainer strap: Place double grommets to raised bosses on left side of wall cabinet parallel to the short retainer strap, with the Velcro[®] hook side facing toward the installer. Attach with two self-tapping screws (provided) using a hand tool **only**. Do not attach to the two upper most raised bosses.
 - iii. Place the opposite end (one grommet) of the long retainer strap to the upper most raised boss (left side). Attach with one self-tapping screw using a hand tool **only**.
 - c. Place and secure breathing apparatus (supplied by others) to cabinet.

SCBA Wall Cabinet



- d. To secure breathing apparatus:
 - i. As the breathing apparatus is placed in the wall cabinet, situate one (8"x8") foam block on the bottom support plate and the two foam blocks (2"x8") on each side at the upper part of the vessel. Foam blocks enhance the stability of the breathing apparatus when stored in the wall cabinet.
 - ii. Bring short retainer strap around to the front of the apparatus.
 - iii. Attach the long strap Velcro® hook to the short strap Velcro® fabric, ensuring a snug fit.
- e. Quick release procedure:
 - i. While the breathing apparatus is secured in the wall cabinet, slip into the apparatus shoulder straps, your back to the apparatus.
 - ii. Reach over right shoulder and grasp the top portion of the long retainer strap and pull strap forward away from cabinet. This allows the Velcro® straps to separate releasing the breathing apparatus for use.

12) **Stainless steel SCBA retention kit only** - Kit consists of four (4) self-tapping screws, an upper channel assembly [#1] with two (2) spring arms (adjustable) [#3], and a bottom channel assembly [#4] with a SCBA support base [#5]. Refer to **Figure 4** on page 3.

- a. Upper channel assembly [#1]: Place channel horizontally to the inside cabinet. Align the predrilled holes of the channel to a set of matching numbered raised bosses. Attach with two self-tapping screws using a hand tool only.
- b. Bottom channel assembly [#4]: Place channel horizontally to the inside cabinet below the upper channel assembly [#1]. Align the predrilled holes of the channel to a set of matching numbered raised bosses. Attach with two self-tapping screws using a hand tool **only**.
- c. Place and secure breathing apparatus (supplied by others) to cabinet. **NOTE:** Bottom support plate should not be utilized in conjunction with the stainless steel SCBA retention kit.
- d. To secure breathing apparatus:
 - i. Place the breathing apparatus valve upon the SCBA support base [#5] of the lower channel assembly. Tighten hex nuts [#6] using a hand wrench.
 - ii. Situate the apparatus between the adjustable spring arms [#3]. Secure by tighten screws [#2] using a hand tool **only**.

Velcro® is a registered trademark of Velcro Industries B.V.

REPLACEMENT PARTS LIST

P/N 01310006	Receiver Kit
P/N 00012214	Pin for Hinge
P/N 01310003	Latch Rod Assembly Kit
P/N 01310007	Latch Mount Kit
P/N 01310004	Handle Kit
P/N 01112351	Door Gasket
P/N 01112314*	Window Kit
P/N 01335017*	SCBA Stainless Steel Retention Kit
P/N 01335016*	SCBA Strap Retention Kit, includes: 2 - retainer straps, 3 - block foams, & 5 - 3/8" self-tapping screws
P/N 00013789*	Foam Block, 8x8
P/N 00013792*	Foam Block, 8x2
P/N 01180044	Bottom Support Plate

**If applicable.*

NOTE: For door replacement, consult factory.

TRAINING

All employees who might be exposed to hazardous material shall be instructed in the location and proper use of emergency shower and eye/facewash units. Experiences have shown that initial first-aid treatment for irritates should be to wash the eyes and face for 15 minutes prior to medical treatment. It is important to hold the eyelids open and roll the eyes so water will flow on all surfaces and in the folds surrounding the eyes.

FIGURE 1

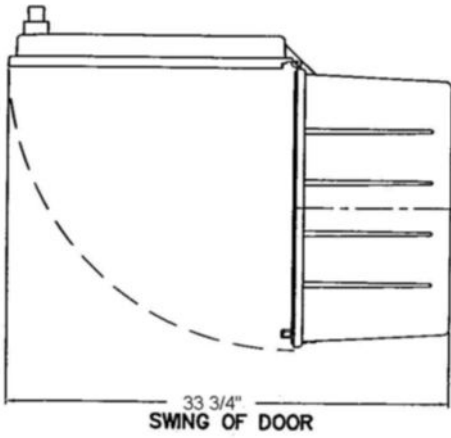
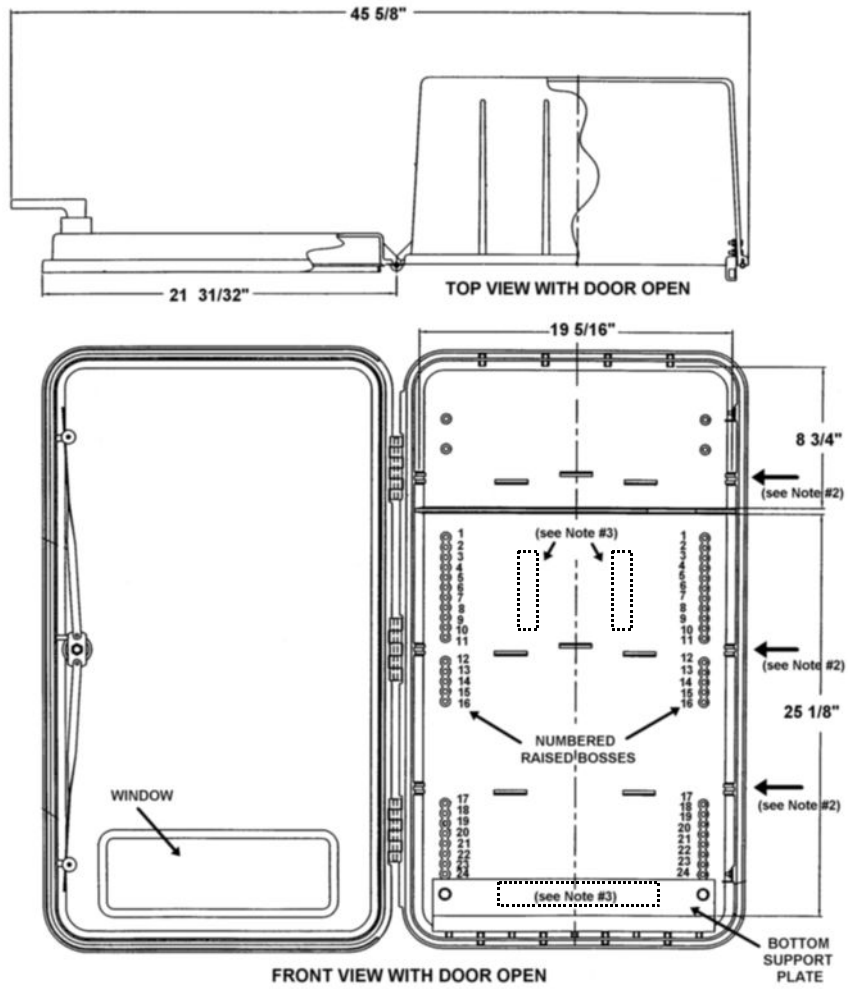


FIGURE 2



NOTES:

1. Optional window and top molded shelf are shown.
2. Three shelf placements available (option).
3. Locate foam blocks as desired for vessel stability. Foam blocks are included in the standard SCBA strap retention kit.

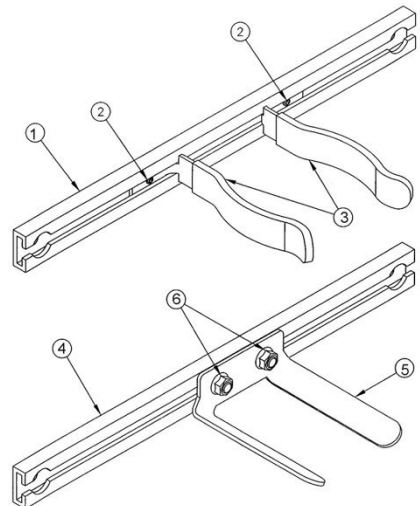
FIGURE 3

**STANDARD
SCBA STRAP
RETENTION
KIT SHOWN**



FIGURE 4

**STAINLESS
STEEL SCBA
RETENTION
KIT SHOWN**



PROPOSITION 65

WARNING: This product can expose you to BPA, which is known to the State of California to cause birth defects or other reproductive harm. For more information go to www.P65Warnings.ca.gov.

WARRANTY STATEMENT

ENCON HEREBY DISCLAIMS ALL WARRANTIES EXPRESSED OR IMPLIED INCLUDING BUT NOT LIMITED TO WARRANTIES OF MERCHANTABILITY, FITNESS FOR A PARTICULAR PURPOSE, AND NON-INFRINGEMENT OF THIRD-PARTY RIGHTS, EXCEPT AS HEREINAFTER PROVIDED.

Encon Safety Products warrants that for one year from the date of purchase of any Encon products, the product will be free of defects in materials and workmanship if properly used and cared for or cleaned under normal conditions in accordance with Encon's use and care instructions and properly installed, if applicable, in accordance with Encon's installation instructions. With respect to the product, Encon's only obligation and purchaser's exclusive remedy under this warranty is to repair or replace such product; provided that:

1. Encon is notified of the defect within one year of shipment, and
2. the product is determined by Encon to be defective.

Encon requires proof of original ownership as proof of warranty coverage, and Encon must receive any claim under this Limited Warranty within one year of purchase of the product.

NOTWITHSTANDING ANYTHING TO THE CONTRARY CONTAINED HEREIN, ENCON SHALL NOT BE LIABLE FOR LOSS, DAMAGE, OR EXPENSE ARISING DIRECTLY OR INDIRECTLY AS A CONSEQUENCE OF USE OF THE EQUIPMENT WITH OTHER PRODUCTS OR FROM ANY OTHER CAUSE, INCLUDING ANY CONSEQUENTIAL, INCIDENTAL, SPECIAL OR EXEMPLARY DAMAGES, EXCEPT FOR ENCON'S OBLIGATION TO REPAIR OR REPLACE DEFECTIVE PRODUCTS AS EXPRESSLY PROVIDED IN THIS STATEMENT.

Replacement parts purchased from Encon are warranted for one year following the shipment of such replacement part, or until the expiration of the warranty period for the product, whichever is less. No warranty is given in connection with products that are altered without Encon's expressed written consent. The same warranty limitations and the obligations of Encon as set out herein above shall apply to replacement parts.

Encon's total liability arising out of this warranty (including, but not limited to, warranty claims) regardless of forum and regardless of whether such action or claim is based on tort, contract or otherwise will not exceed the total purchase price of the product.



6825 W. Sam Houston Pkwy. N
Houston, TX 77041
1-800-AT-ENCON / 1-800-283-6266
customerservice@enconsafety.com
<http://www.enconsafety.com>