

INSTALLATION INSTRUCTIONS

If the AQ100 has already been activated and the replacement cartridges have not been installed yet then skip to step 5.

1. To open the Nozzle Assembly, open Tray Assembly utilizing the Supervisory Override Latch. Override Latches are located on underside of handle (Ref Figure 1). Both latches must be depressed to allow tray to open.

Note: The only way to open the Tray Assembly, without breaking the easy Break Security Tag and activating the Fluid Cartridge, is to use the override latch.

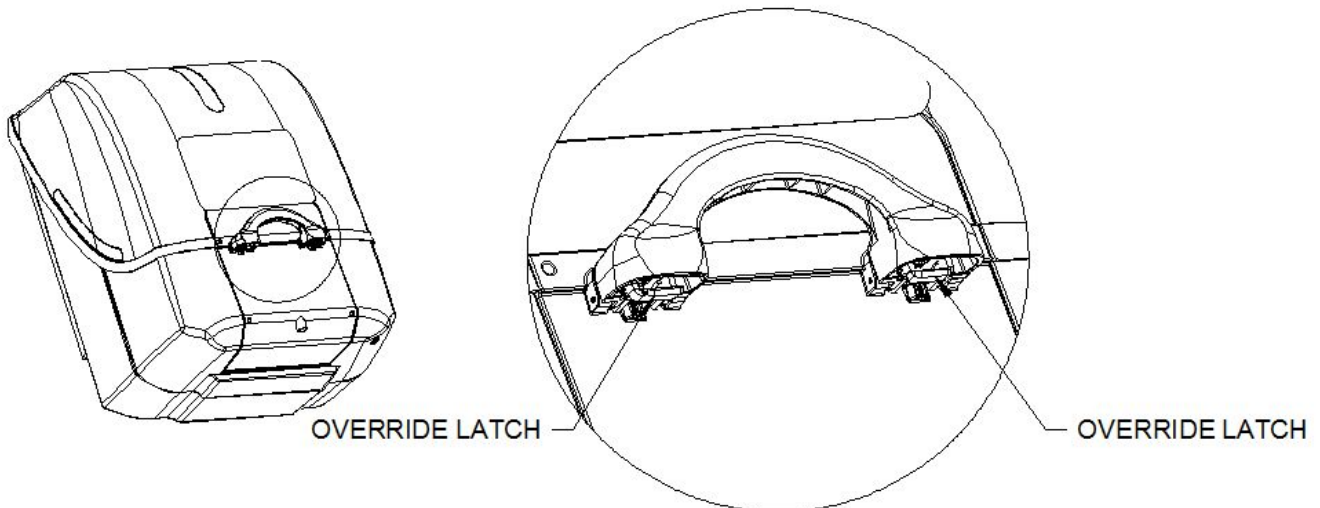


Figure 1

2. Once the tray is open, you will see two nozzle assemblies. (Refer to figure 3 for parts terminology.)

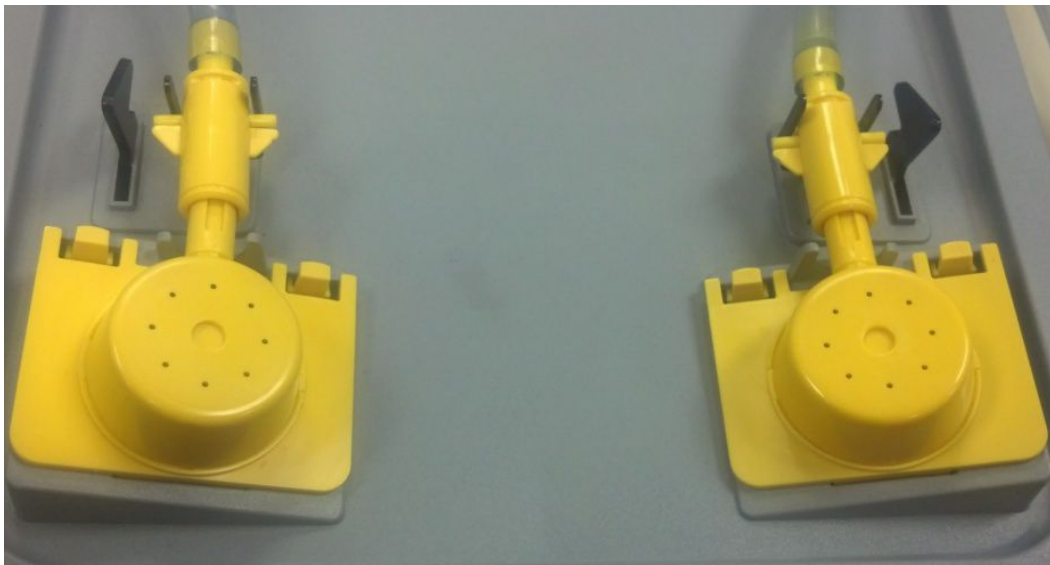


Figure 2: Nozzle Assemblies installed

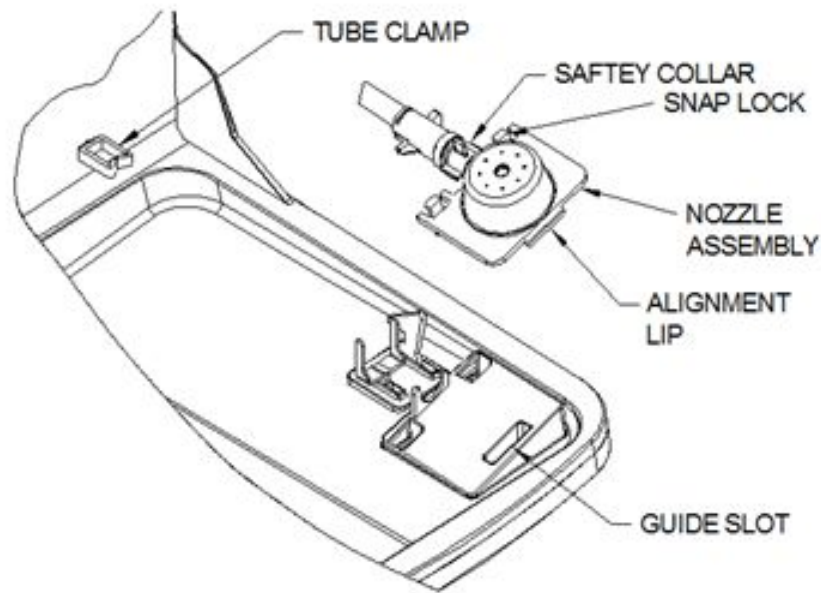


Figure 3: Parts Terminology

3. Pinch the Snap Locks on the Nozzle assembly in order to carefully pull the assemble out from between the fork.
Note: Do not to slide the safety collar up towards the nozzles or the system will engage and all the water will drain.
4. Move the assembly over to the side leaving the metal forks exposed. This will reduce the risk of accidentally activating the Fluid Cartridge. (Ref Figure 4)



Figure 4: Nozzle Assembly Removed

5. With the fork prongs exposed place the caps on the prongs one cap at a time and push down until they fit securely in place. (Ref Figure 5)

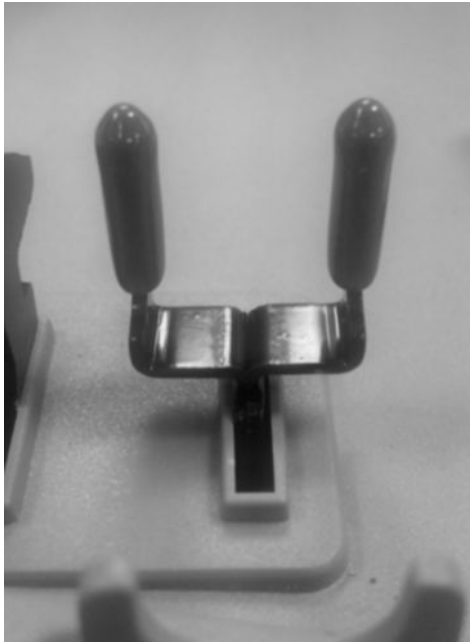


Figure 5: Installed caps

6. After ensuring that the Cartridge tube is secure with Tube Clamp, Tilt Nozzle Assembly to insert alignment lip into guide slot on Tray Assembly. (Ref Figure 6)



Figure 6: Guide Slot Insertion

7. Insert Snap Locks on Nozzle Assembly in to mating slots on Tray Assembly.
NOTE: Both locks must fully engage with slots. During installation, the Safety Collar will snap off the assembly. This collar must be discarded. (This will only happen if this is a new installation.)

- Repeat Step 3-7 for other side.



Figure 7: Final Installation product.

- Lid Assembly must be in place before you close Tray Assembly.
Note: Refer to Installation, Operation, Maintenance Manual 01-9999-72.
- Place the easy Break Away Tag through hole provide on right side of handle (Ref Figure 8)

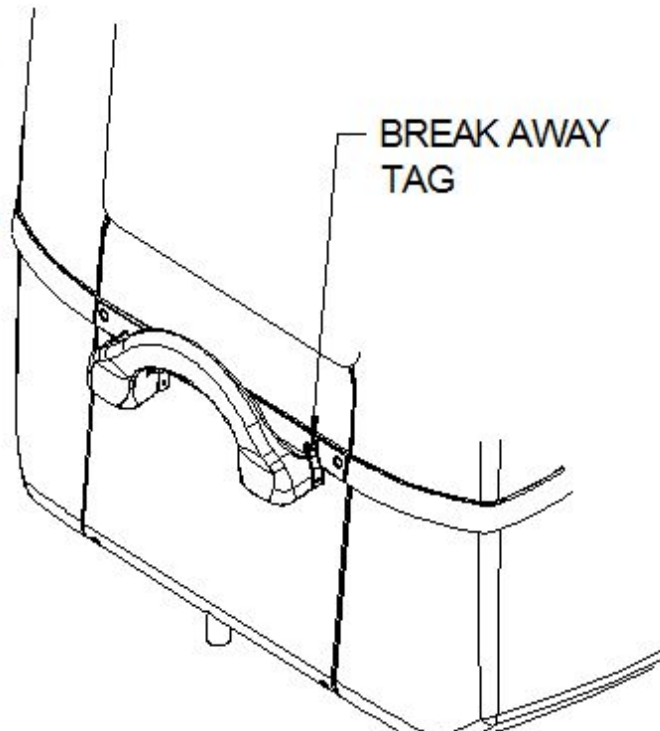


Figure 8: Break Away Tag installed

PROPOSITION 65

WARNING: This product can expose you to BPA, which is known to the State of California to cause birth defects or other reproductive harm. For more information go to www.P65Warnings.ca.gov.

WARRANTY STATEMENT

ENCON HEREBY DISCLAIMS ALL WARRANTIES EXPRESSED OR IMPLIED INCLUDING BUT NOT LIMITED TO WARRANTIES OF MERCHANTABILITY, FITNESS FOR A PARTICULAR PURPOSE, AND NON-INFRINGEMENT OF THIRD-PARTY RIGHTS, EXCEPT AS HEREINAFTER PROVIDED.

Encon Safety Products warrants that for one year from the date of purchase of any Encon products, the product will be free of defects in materials and workmanship if properly used and cared for or cleaned under normal conditions in accordance with Encon's use and care instructions and properly installed, if applicable, in accordance with Encon's installation instructions. With respect to the product, Encon's only obligation and purchaser's exclusive remedy under this warranty is to repair or replace such product; provided that:

1. Encon is notified of the defect within one year of shipment, and
2. the product is determined by Encon to be defective.

Encon requires proof of original ownership as proof of warranty coverage, and Encon must receive any claim under this Limited Warranty within one year of purchase of the product.

NOTWITHSTANDING ANYTHING TO THE CONTRARY CONTAINED HEREIN, ENCON SHALL NOT BE LIABLE FOR LOSS, DAMAGE, OR EXPENSE ARISING DIRECTLY OR INDIRECTLY AS A CONSEQUENCE OF USE OF THE EQUIPMENT WITH OTHER PRODUCTS OR FROM ANY OTHER CAUSE, INCLUDING ANY CONSEQUENTIAL, INCIDENTAL, SPECIAL OR EXEMPLARY DAMAGES, EXCEPT FOR ENCON'S OBLIGATION TO REPAIR OR REPLACE DEFECTIVE PRODUCTS AS EXPRESSLY PROVIDED IN THIS STATEMENT.

Replacement parts purchased from Encon are warranted for one year following the shipment of such replacement part, or until the expiration of the warranty period for the product, whichever is less. No warranty is given in connection with products that are altered without Encon's expressed written consent. The same warranty limitations and the obligations of Encon as set out herein above shall apply to replacement parts.

Encon's total liability arising out of this warranty (including, but not limited to, warranty claims) regardless of forum and regardless of whether such action or claim is based on tort, contract or otherwise will not exceed the total purchase price of the product.



6825 W. Sam Houston Pkwy. N
Houston, TX 77041
1-800-AT-ENCON / 1-800-283-6266
customerservice@enconsafety.com
<http://www.enconsafety.com>