

PRODUCT DESCRIPTION

Self-contained Emergency Eyewash Station designed to provide a 15-minute eyewash flush without external force. Unit will offer freeze protection when supplied with power and properly wall mounted.

COMPONENT LIST

(Ref Figure 1)

AQ100H130 (Base unit)

A:	Rear Mounting Bracket (1)	01-1304-00
B:	Hanger Bracket (2)	01-1305-00
C:	Tray Assembly (1)	01-1334-00
D:	Housing Assembly w/heater (1)	01-1335-00
E:	Lid Assembly (1)	01-1336-00
F:	Thread Forming Screw (4)	01-1340-00
G:	Insulated Jacket, Upper (1)	01-1400-70
H:	Insulated Jacket, Lower (1)	01-1400-70

Fluid Cartridges (sold separately)

J:	Eyewash Cartridges (2)	AQ120
----	------------------------	-------

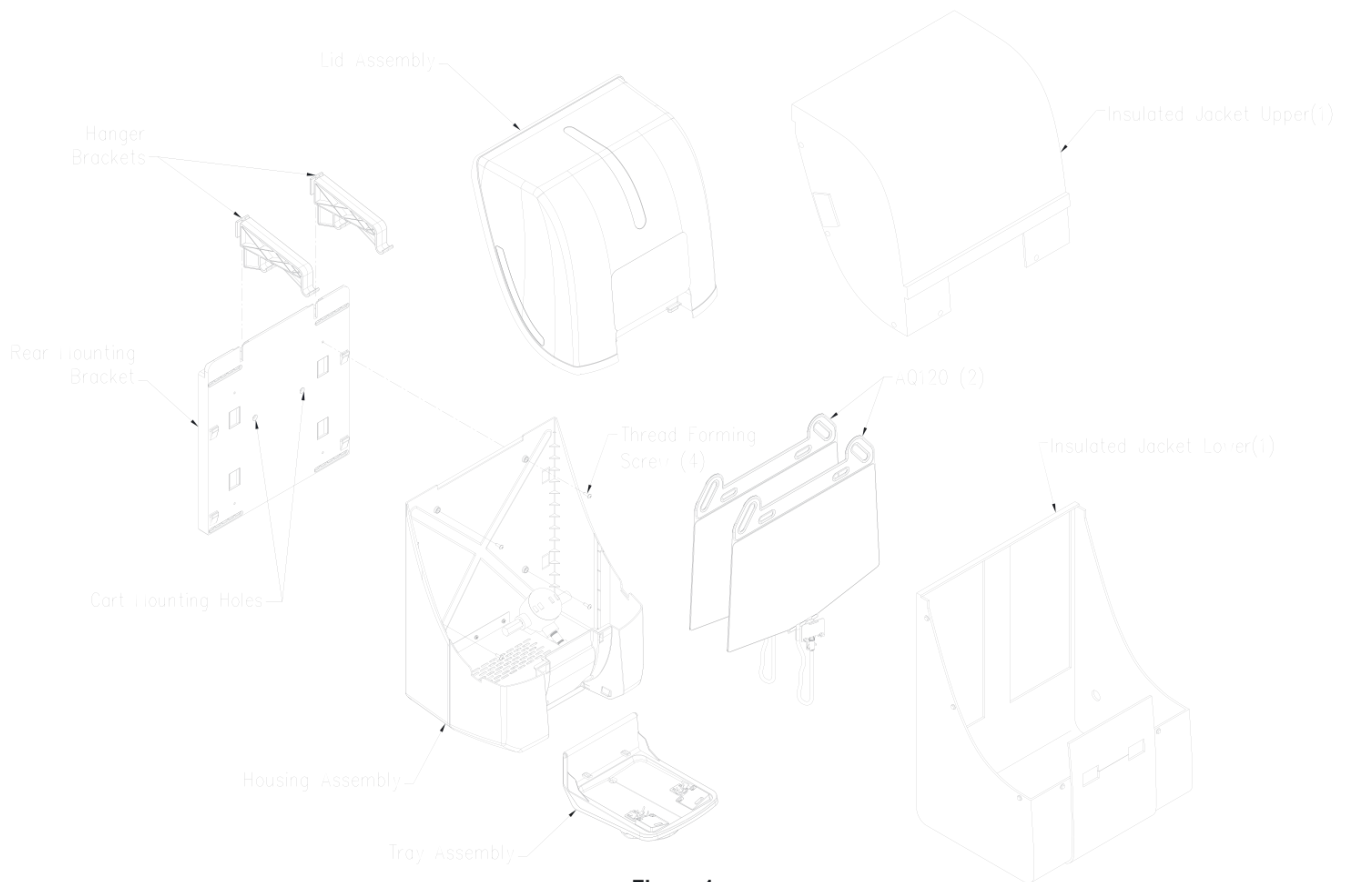


Figure 1

ASSEMBLY AND INSTALLATION INSTRUCTIONS (AQ100H130)

Step 1. Rear Mounting Bracket (Ref Figure 2)

Note: Bottom of bracket should be 45" to 52" from standing level

A: Rear Mounting Bracket attaches to wall through two openings in Lower Insulated Jacket. Use four (4) Primary Mounting Holes on Rear Mounting Bracket and mounting hardware to attach to wall. Web on Lower Insulated Jacket must be trapped flat in channel on back of bracket and wall. Note: Mounting hardware supplied by others, shall be 1/4" diameter and of suitable type for surface unit is to be mounted on.

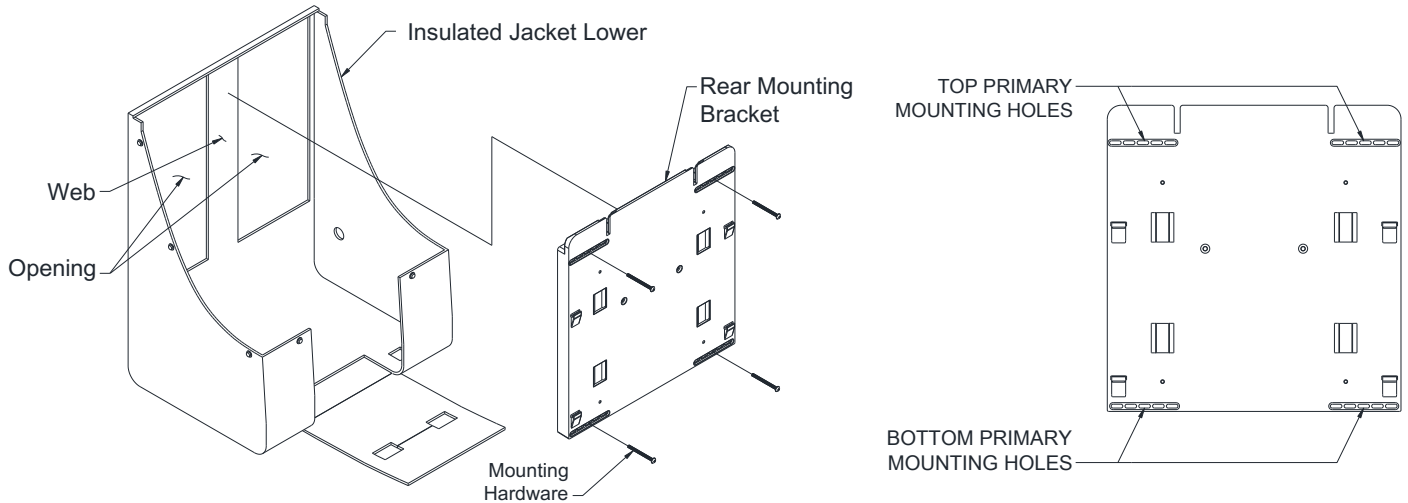


Figure 2

Step 2. Housing Assembly (Ref Figure 3)

- A. Place Housing Assembly on Rear Mounting Bracket utilizing Mounting Tabs and holes in rear of housing.
- B. Route Power Input through corresponding access port in Lower Insulated Jacket (Ref "A").
- C. Secure Housing using Thread Forming Screw (4) provided.

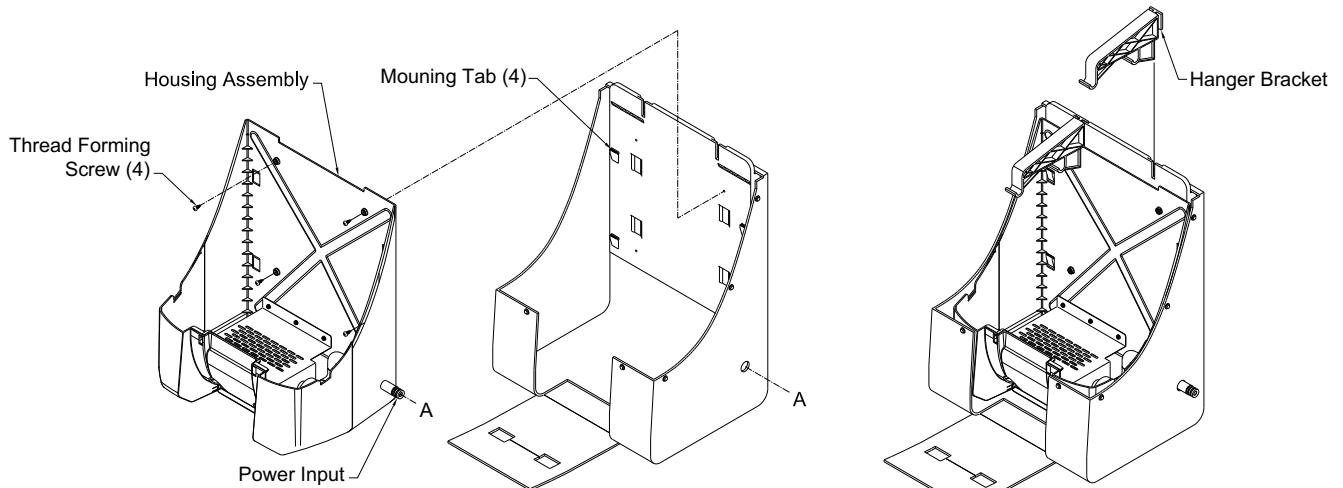


Figure 3

Figure 4

Step 3. Hanger Brackets (Ref Figure 4)

- A. Insert Hanger Brackets in slots on Rear Mounting Bracket, 2 places, as shown.

Step 4. Tray Assembly (Ref Figure 5) *Lower Insulated Jacket not shown for clarity.*

- A. With Tray Assembly in horizontal position, insert Pivot Post fully into Pivot Socket (both sides). Tray Assembly should swing freely if post is fully engaged.

Step 5. Lid Assembly (Ref Figure 6) *Lower Insulated Jacket not shown for clarity.*

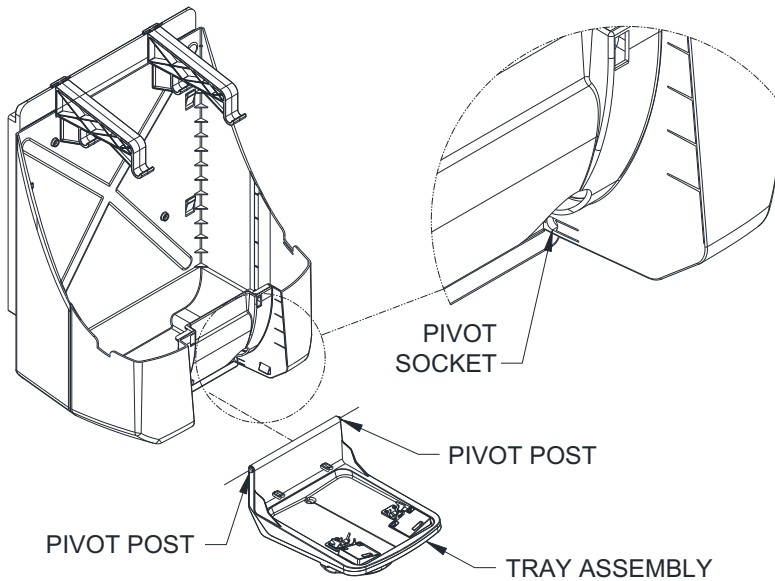


Figure 5

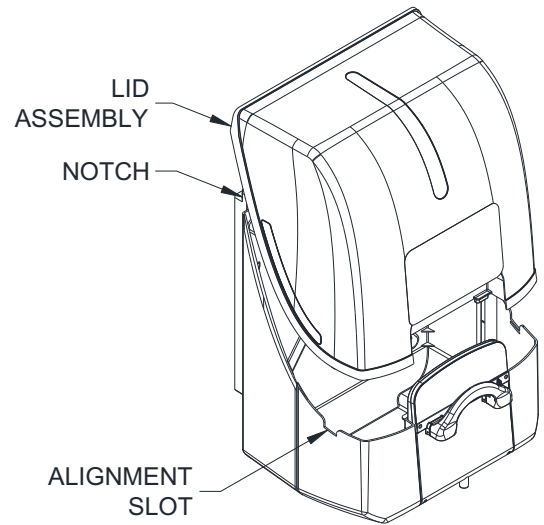


Figure 6

- A. Lid Assembly fits over Housing Assembly as shown. Note: For proper fit the back of the Lid Assembly fits over notch in rear mounting bracket. Locking Tabs inside Lid Assembly will lock into Alignment Slot (part of Housing Assembly).

Step 6. Upper Insulated Jacket (Ref Figure 7)

- A. Secure Upper Insulated Jacket to Lower Insulated Jacket utilizing snaps (8 places).
- B. Place handle of Tray Assembly through provided notch in Front Flap, part of Lower Insulated Jacket.
- C. Top edge of Front Flap must be positioned under Protective Flap, part of Upper Insulated Jacket.

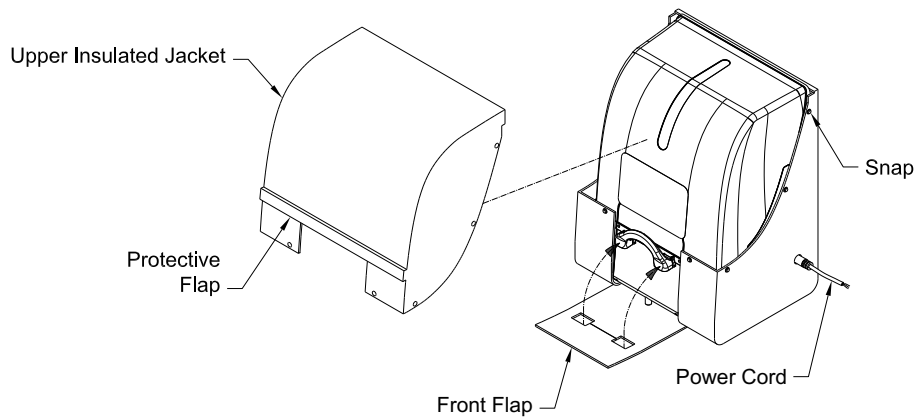


Figure 7

Step 7. Power Connection (Ref Figure 7)

WARNING STATEMENT: The area where this Heated Eyewash is to be used should be evaluated for electrical classification hazard potential. The attachment plug was purposely not supplied with the unit. The installer must supply the appropriate 3-pronged male plug or other connection as may be required as acceptable to local electrical codes and authorities.

WARNING WARNING WARNING

TO PREVENT A SHOCK HAZARD, USE ONLY WITH A GROUND FAULT CIRCUIT INTERRUPTER.

ASSEMBLY AND INSTALLATION INSTRUCTIONS (AQ110 AND AQ120)

(Note: Upper and Lower Insulated Jackets not shown for clarity)

Step 8. Remove Lid Assembly (Ref Figure 8)

- A. To remove the Lid Assembly, a slight pressure must be applied to both sides of the Lid (Ref Figure 8). This will disengage the Locking Tab inside lid assembly. While pressing in, lift upward and cover will come off.

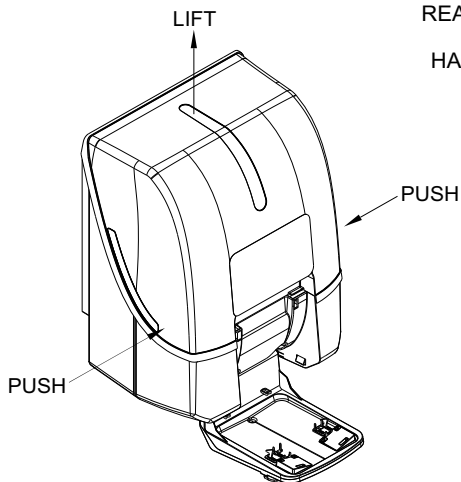


Figure 8

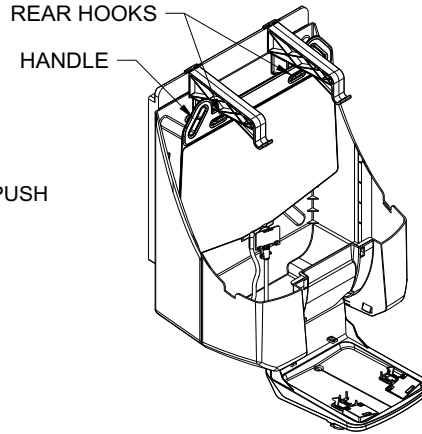


Figure 9

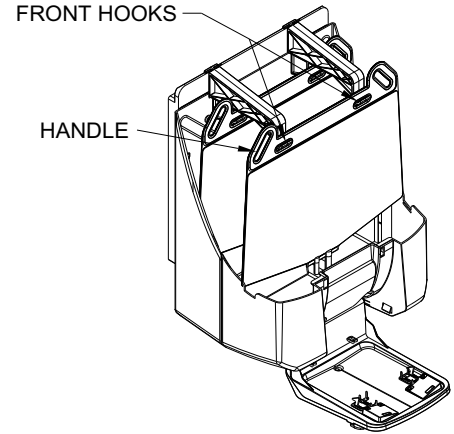


Figure 10

Step 9. Load Fluid Cartridges

- A. Lift first Cartridge by handle provided and place on rear hooks of Hanger Bracket (Ref Figure 9).
- B. Lift second Cartridge by handles provided and place on front hooks of Hanger Bracket (Ref Figure 10).

Step 10. Nozzle installation

- A. With Lid Assembly removed and Tray Assembly in the open position, feed the first Nozzle Assembly (part of Fluid Cartridge Assembly) through the Access Port on the Housing Assembly. (Ref Figure 11)
- B. After securing Cartridge tube with Tube Clamp, Tilt Nozzle Assembly to insert alignment lip into guide slot on Tray Assembly. (Ref Figure 12)
- C. Insert Snap Locks on Nozzle Assembly into mating slots on Tray Assembly. **NOTE:** Both locks must fully engage with slots. During installation, the Safety Collar will snap off the assembly. This collar must be discarded.
- D. Repeat Steps 10B and 10C for second Cartridge.

Step 11 Closing unit

- A. Return Lid Assembly (Ref Step 5) and Close Tray Assembly.
- B. Place easy Break Away Tag through hole provide on right side of handle. (Ref Figure 13)

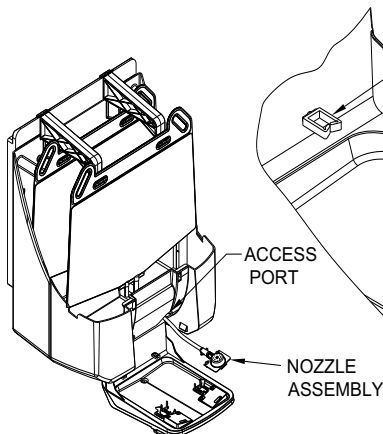


Figure 11

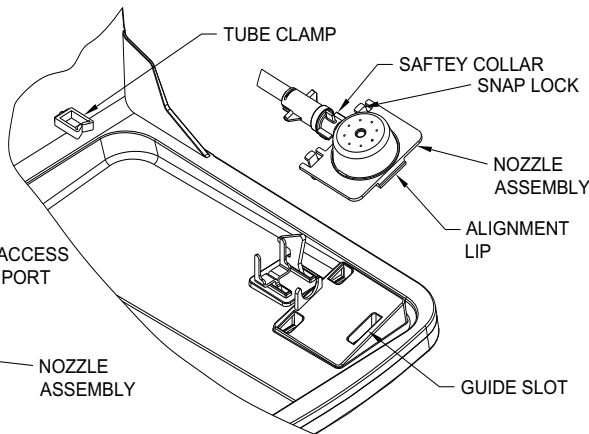


Figure 12

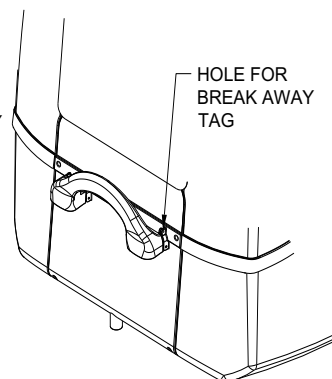


Figure 13

OPERATION

To operate unit, simply pull downward on tray handle. Tray Assembly will swing forward into open position. Once opened in this manner the Tray Assembly will pierce Fluid Cartridge beginning 15 minutes of flow.

NOTE: ONCE ACTIVATED FLOW CANNOT BE STOPPED AND CARTRIDGE MUST BE REPLACED.

MAINTENANCE

Primary Inspection

1. Visually inspect Cartridge status through Side Windows on Lid Assembly (Ref Figure 14).
2. Visually inspect easy Break Security Tag is intact (Ref Figure 13).

Secondary Inspection

1. To inspect the interior of unit, remove Lid Assembly per step 6-A
2. To inspect Nozzle Assembly, open Tray Assembly utilizing Supervisory Override Latch. Override Latches are located on underside of handle (Ref Figure 15). Both latches must be depressed to allow tray to open. **Note:** The only way to open Tray Assembly without breaking easy Break Security Tag and activating Fluid Cartridge is to use the Override Latch.

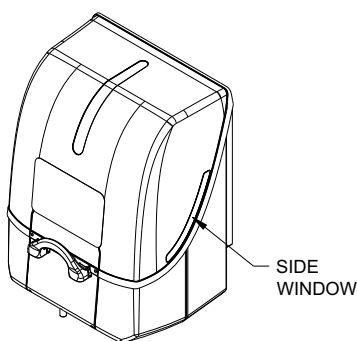


Figure 14

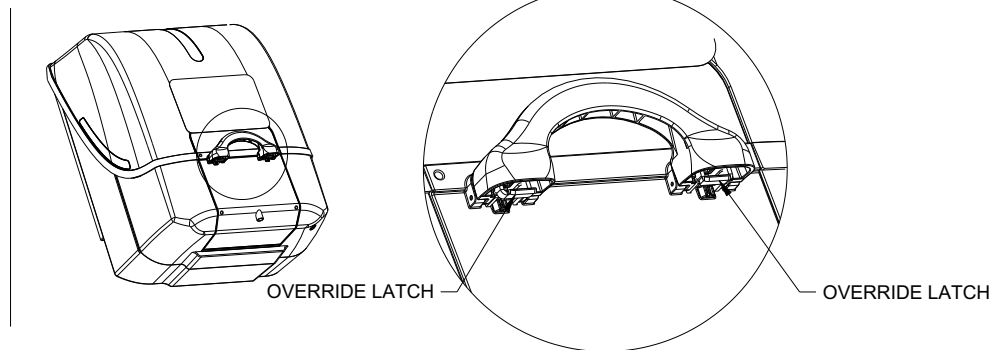


Figure 15

TRAINING

All employees who might be exposed to hazardous material shall be instructed in the location and proper use of emergency shower and eye/facewash units. Experiences have shown that initial first-aid treatment for irritates should be to wash the eyes and face for 15 minutes prior to medical treatment. It is important to hold the eyelids open and roll the eyes so water will flow on all surfaces and in the folds surrounding the eyes.

PROPOSITION 65

WARNING: This product can expose you to BPA, which is known to the State of California to cause birth defects or other reproductive harm. For more information go to www.P65Warnings.ca.gov.

WARRANTY STATEMENT

ENCON HEREBY DISCLAIMS ALL WARRANTIES EXPRESSED OR IMPLIED INCLUDING BUT NOT LIMITED TO WARRANTIES OF MERCHANTABILITY, FITNESS FOR A PARTICULAR PURPOSE, AND NON-INFRINGEMENT OF THIRD-PARTY RIGHTS, EXCEPT AS HEREINAFTER PROVIDED.

Encon Safety Products warrants that for one year from the date of purchase of any Encon products, the product will be free of defects in materials and workmanship if properly used and cared for or cleaned under normal conditions in accordance with Encon's use and care instructions and properly installed, if applicable, in accordance with Encon's installation instructions. With respect to the product, Encon's only obligation and purchaser's exclusive remedy under this warranty is to repair or replace such product; provided that:

1. Encon is notified of the defect within one year of shipment, and
2. the product is determined by Encon to be defective.

Encon requires proof of original ownership as proof of warranty coverage, and Encon must receive any claim under this Limited Warranty within one year of purchase of the product.

NOTWITHSTANDING ANYTHING TO THE CONTRARY CONTAINED HEREIN, ENCON SHALL NOT BE LIABLE FOR LOSS, DAMAGE, OR EXPENSE ARISING DIRECTLY OR INDIRECTLY AS A CONSEQUENCE OF USE OF THE EQUIPMENT WITH OTHER PRODUCTS OR FROM ANY OTHER CAUSE, INCLUDING ANY CONSEQUENTIAL, INCIDENTAL, SPECIAL OR EXEMPLARY DAMAGES, EXCEPT FOR ENCON'S OBLIGATION TO REPAIR OR REPLACE DEFECTIVE PRODUCTS AS EXPRESSLY PROVIDED IN THIS STATEMENT.

Replacement parts purchased from Encon are warranted for one year following the shipment of such replacement part, or until the expiration of the warranty period for the product, whichever is less. No warranty is given in connection with products that are altered without Encon's expressed written consent. The same warranty limitations and the obligations of Encon as set out herein above shall apply to replacement parts.

Encon's total liability arising out of this warranty (including, but not limited to, warranty claims) regardless of forum and regardless of whether such action or claim is based on tort, contract or otherwise will not exceed the total purchase price of the product.



6825 W. Sam Houston Pkwy. N
Houston, TX 77041
1-800-AT-ENCON / 1-800-283-6266
customerservice@enconsafety.com
<http://www.enconsafety.com>