

**COMBINATION SHOWER AND EYEWASH
STATION WITH RECESSED CABINET
MODEL 01112471UT**

PRODUCT DESCRIPTION

PATENT PENDING

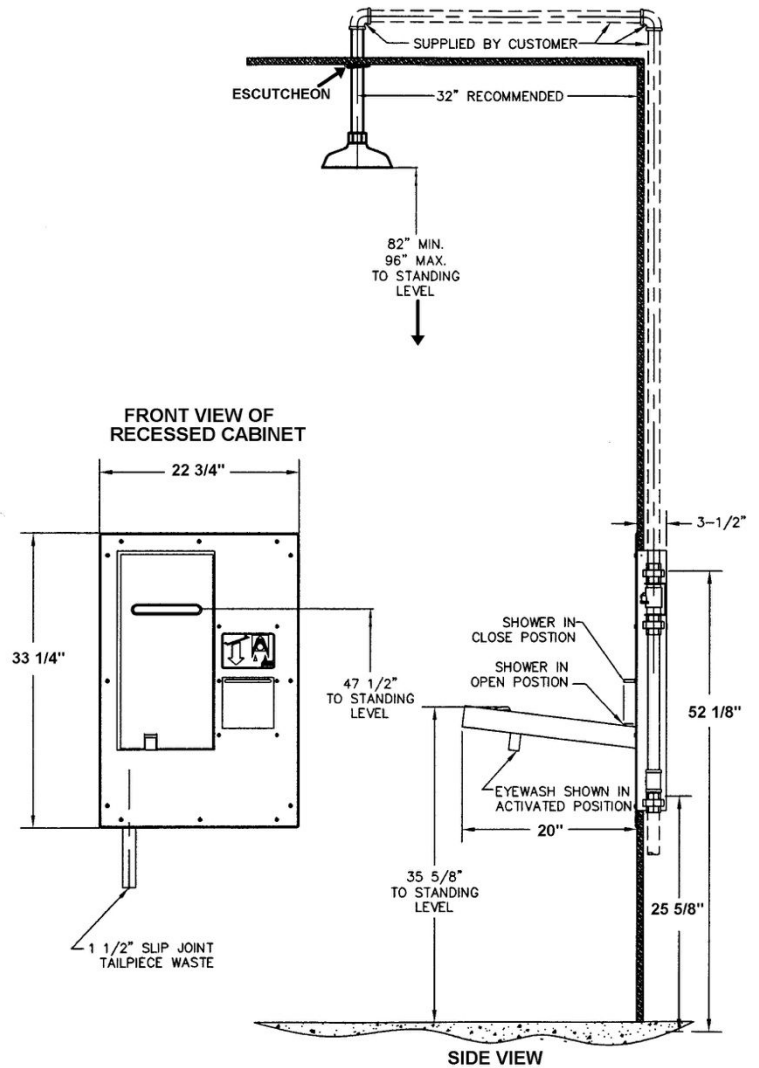
Emergency shower station is designed as a barrier free station for installation in areas where people may come into contact with hazardous materials. Three overhead shower configurations are available to meet various installation site requirements, as shown in Figure 1. The shower and eyewash actuators are integral components of the flush mounted recessed cabinet, designed for barrier free accessibility.

GENERAL INFORMATION

Following are requirements of ANSI Z358.1 for Emergency Eyewash and Shower Equipment. A complete copy of this standard may be purchased from the International Safety Equipment Association.

- 1) Unit shall be installed in accordance with the manufacturer's instructions and acceptable plumbing practices.
 - 2) The height of the shower head shall be not less than 208.3 cm (82 inches) nor more than 243.8 cm (96 inches) from the surface on which the user stands.
 - 3) The eye/facewash shall be positioned with the water nozzles between 83.8 cm (33 inches) and 114.3 cm (45 inches) from the floor and 15.3 cm (6 inches) minimum from the wall or nearest obstruction.
 - 4) The unit shall be connected to a system capable of supplying adequate flushing fluid to meet the flow requirements of each component operating simultaneously. The supply line shall provide an uninterrupted supply of potable water at a recommended minimum 0.207 megapascal (30 pounds per square inch) of flow pressure.
 - 5) Where the possibility of freezing conditions exists, equipment shall be protected from freezing or freeze-protected equipment shall be installed.
 - 6) When a shower is installed, it shall be tested in accordance with the following procedures:
 - a) With the unit correctly connected to the water source and the valve(s) closed, visually check the piping connection for leaks.
 - b) Open the valve to the full open position. The valve shall remain open without requiring further use of the operator's hands
 - c) With the valve in the "full on" position, measure the diameter of the spray pattern. It shall be a minimum of 50.8 cm (20 inches) at 152.4 cm (60 inches) above the standing surface. The center of the spray shall be at least 40.6 cm (16 inches) from any obstructions.
 - 7) When the eye/facewash is installed, it shall be tested in accordance with the following procedures:
 - a) With the unit correctly connected to the water source and the valve(s) closed, visually check the piping connection for leaks.
 - b) Open the valve to the full open position. The valve shall remain open without requiring further use of the operator's hands.
 - c) With the valve in the "full on" position, measure the flushing fluid flow pattern with the use of a test gauge to determine a suitable eyewash pattern as required by ANSI standards. Determine that both eyes can be irrigated simultaneously at a velocity low enough not to be injurious to the user.
- NOTE: Test that all devices on combination units are capable of operating simultaneously to ANSI standard.
- 8) Shower units shall be in accessible locations that require no more than 10 seconds travel time from the farthest hazard.

FIGURE 1



- 9) Each unit location shall be identified with a highly visible sign. The area around the unit shall be well lit.
- 10) Plumbed units shall be inspected annually for proper operation to ensure compliance to ANSI Z358.1 standard.

ASSEMBLY AND INSTALLATION INSTRUCTIONS

CAUTION:

1. Check for adequate wall strength.
2. Suitable anchorage is required.
3. Use of a power or air tool is not recommended.

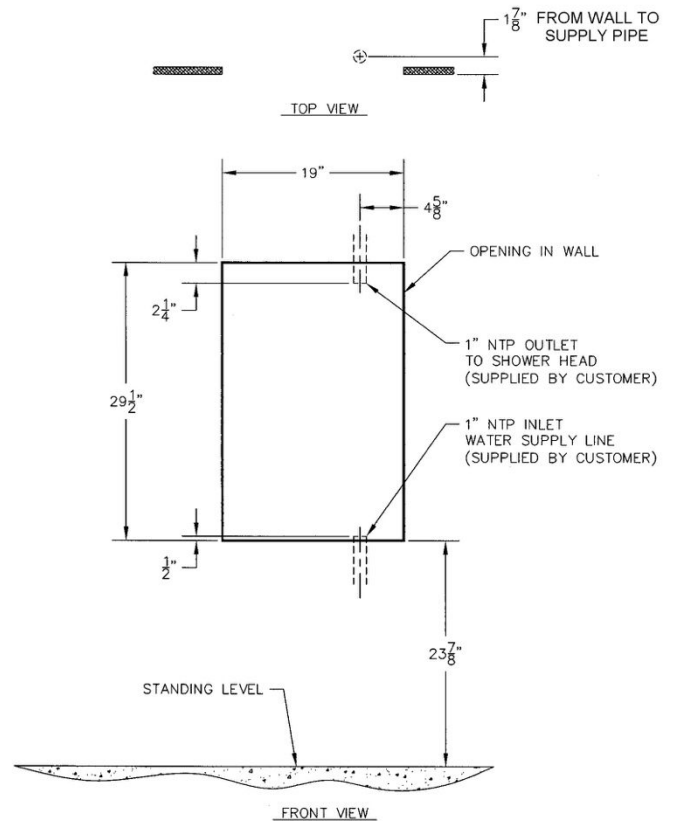
ATTACHMENT TO WALL - Mounting fasteners are not included. See Step #11 below.

- Stud:** Fasten wood to existing studs. Use a minimum of twelve (12) ¼" dia. lag screws to mount recessed cabinet. Screws should be long enough to ensure adequate anchorage into the stud supports.
- Concrete Block:** Use a minimum of twelve (12) ¼" dia. toggle screws.
- Concrete:** Use a minimum of twelve (12) ¼" dia. expansion anchors or equal

NOTES:

- 1) Piping between recessed cabinet and shower head assembly must be supplied and installed by others. Refer to **Figures 1 and 2** on pages 1 & 2.
 - 2) Mounting fasteners are not included. Must be supplied by others.
 - 3) Identify desired target area for shower head assembly and cabinet.
 - 4) Required height of the shower head should be between 82" to 96" from the surface in which the user stands. Recommended location 32" from wall to centerline of shower head directly in front of the recessed cabinet (see **Figure 1**, page 1).
 - 5) Recessed cabinet requires an opening in the wall 19" wide by 29½" high, with the bottom of the opening at 23 7/8" above standing level (see **Figure 2**). There should be at least 2" clearance beyond opening to accommodate cabinet mounting flange.
 - 6) It is recommended to frame the opening so that the recessed cabinet has a sturdy structure for surface mount support.
 - 7) Required location for the installation of customer supplied water lines are:
 - a) 1" NPT inlet potable water supply line (supplied by others): 4 5/8" from the right side of the wall opening and extend up ½" from the bottom of the wall opening.
 - b) 1" NPT outlet potable water supply line (supplied by others): 4 5/8" from the right side of the wall opening and extend down 2¼" from the top of the wall opening.
- For reference, see **Figure 2**.
- 8) An area 48" wide by 30" out from wall must be kept clear for wheelchair accessibility.

**FIGURE 2
WALL MOUNT LAYOUT**



PATENT PENDING

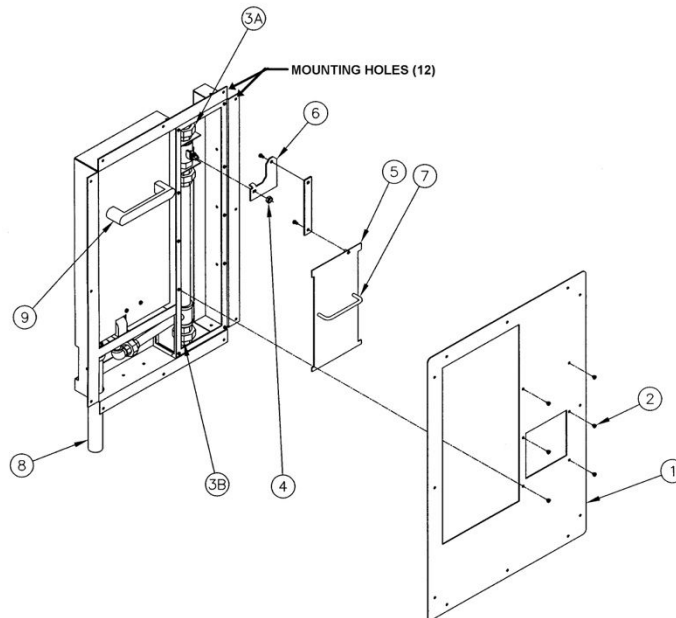
ASSEMBLY AND INSTALLATION INSTRUCTIONS – continued

- 1) Supply piping should have been installed as indicated on **Figure 2**, page 2.
- 2) Wall opening should be 19" wide by 29½" long, with the bottom of the opening at 23 7/8" above standing level.
- 3) Mark ceiling to identify shower head assembly hole location and carefully cut away for opening (see **Note 4**, page 2). Opening should be 1½" diameter to accommodate escutcheon plate and 1" NPT nipple.
- 4) The recessed cabinet is packaged fully assembled. Prior to wall installation, remove plate cover (#1) by unscrewing six 3/16 x 10-32 screws (#2) using a Phillips screwdriver. **CAUTION: DO NOT USE A POWER TOOL OR AN AIR TOOL.** For component parts list, see **Figure 3** below. Place plate cover and screws to one side.
- 5) Slide plate (#5) and valve actuator arm (#6) are now free to swing to the side allowing access to upper and lower unions (#3A/B).
- 6) Insert recessed cabinet into wall opening, with the 1½" slip joint tailpiece (#8) introduced first.
- 7) Remove the appropriate half of the lower union (#3B) and attach the union fitting to 1" NPT inlet potable water supply line using pipe wrench and appropriate pipe sealant.
- 8) Reconnect lower union (#3B) to union fitting. Use appropriate pipe sealant. **DO NOT TIGHTEN UNION AT THIS TIME.**
- 9) Attach 1" NPT outlet water supply piping (supplied by others) to upper union (#3A) and run piping to shower head assembly site using pipe wrench and appropriate pipe sealant. **DO NOT TIGHTEN UNION AT THIS TIME.**
- 10) Wastewater plumbing (supplied by others) should be attached to the 1½" slip joint tailpiece (#8) for spent fluid drainage.
- 11) Ensure recessed cabinet is level and secure cabinet mounting flange to wall using appropriate fasteners (supplied by others). Additional mounting holes along the cabinet sides can be used for added support.
- 12) **TIGHTEN ALL UNIONS AT THIS TIME USING PIPE WRENCH. NOTE:** Do not replace plate cover (#1) at this time.
- 13) Installation of shower head assembly:
 - a) Insert 1" NPT nipple (included) through ceiling opening and attach nipple to the 1" overhead water supply line connection (supplied and installed by others) using pipe wrench and appropriate pipe sealant.
 - b) Place escutcheon plate (included) around nipple with flange side facing ceiling and position plate flush to the ceiling.
 - c) Attach shower head to nipple using a crescent wrench (recommended hand tool) and appropriate pipe sealant. Tighten until snug.
- 14) Prior to replacing plate cover (#1), visual inspect unit for leaks and proper water flow patterns by activating shower and eyewash valves to open position using protruding handles (#7 & #9). Individual activation graphics are shown on cabinet. Recommended maximum dynamic water pressure 80 psi, minimum dynamic water pressure 30 psi.
- 15) After inspection is complete, replace plate cover (#1) and six 3/16 x 10-32 screws (#2) using a Phillips screwdriver. **CAUTION: DO NOT USE A POWER TOOL OR AN AIR TOOL.**

FIGURE 3

COMPONENT PARTS LIST

NO.	COMPONENT
1	Plate Cover
2	3/16x10-32 Screws (6)
3A	1" Union (upper)
3B	1" Union (lower)
4	Valve Lock Nut
5	Slide Plate
6	Valve Actuator Arm
7	Shower Handle
8	Waste Tailpiece
9	Eyewash Pull Handle



PATENT PENDING

OPERATION & MAINTENANCE

1. Plumbed units shall be activated weekly to flush lines and verify proper flow pattern and volume.
2. Test records should be maintained verifying compliance with testing procedures.
3. Some chemical vapors or liquids may damage or soften plastic materials. Precaution should be taken to determine compatibility prior to installation.

TRAINING

All employees who might be exposed to hazardous material shall be instructed in the location and proper use of emergency shower and eye/facewash units. Experiences have shown that initial first-aid treatment for irritates should be to wash the eyes and face for 15 minutes prior to medical treatment. It is important to hold the eyelids open and roll the eyes so water will flow on all surfaces and in the folds surrounding the eyes.

REPLACEMENT PARTS LIST

P/N 01052102	1" Ball Valve Kit, shower	P/N 01040137	3/8" Ball Valve, eyewash
P/N 01055008	Stainless Steel 30 GPM Shower Head w/Trim Ring	P/N 01052045	Acetal Eyewash Head with Cap
P/N 01113007	Decal, Shower Activation Graphic	P/N 01112842	Decal, Eyewash Activation Graphic

PROPOSITION 65

WARNING: This product can expose you to BPA, which is known to the State of California to cause birth defects or other reproductive harm. For more information go to www.P65Warnings.ca.gov.

WARRANTY STATEMENT

ENCON HEREBY DISCLAIMS ALL WARRANTIES EXPRESSED OR IMPLIED INCLUDING BUT NOT LIMITED TO WARRANTIES OF MERCHANTABILITY, FITNESS FOR A PARTICULAR PURPOSE, AND NON-INFRINGEMENT OF THIRD-PARTY RIGHTS, EXCEPT AS HEREINAFTER PROVIDED.

Encon Safety Products warrants that for one year from the date of purchase of any Encon products, the product will be free of defects in materials and workmanship if properly used and cared for or cleaned under normal conditions in accordance with Encon's use and care instructions and properly installed, if applicable, in accordance with Encon's installation instructions. With respect to the product, Encon's only obligation and purchaser's exclusive remedy under this warranty is to repair or replace such product; provided that:

1. Encon is notified of the defect within one year of shipment, and
2. the product is determined by Encon to be defective.

Encon requires proof of original ownership as proof of warranty coverage, and Encon must receive any claim under this Limited Warranty within one year of purchase of the product.

NOTWITHSTANDING ANYTHING TO THE CONTRARY CONTAINED HEREIN, ENCON SHALL NOT BE LIABLE FOR LOSS, DAMAGE, OR EXPENSE ARISING DIRECTLY OR INDIRECTLY AS A CONSEQUENCE OF USE OF THE EQUIPMENT WITH OTHER PRODUCTS OR FROM ANY OTHER CAUSE, INCLUDING ANY CONSEQUENTIAL, INCIDENTAL, SPECIAL OR EXEMPLARY DAMAGES, EXCEPT FOR ENCON'S OBLIGATION TO REPAIR OR REPLACE DEFECTIVE PRODUCTS AS EXPRESSLY PROVIDED IN THIS STATEMENT.

Replacement parts purchased from Encon are warranted for one year following the shipment of such replacement part, or until the expiration of the warranty period for the product, whichever is less. No warranty is given in connection with products that are altered without Encon's expressed written consent. The same warranty limitations and the obligations of Encon as set out herein above shall apply to replacement parts.

Encon's total liability arising out of this warranty (including, but not limited to, warranty claims) regardless of forum and regardless of whether such action or claim is based on tort, contract or otherwise will not exceed the total purchase price of the product.



6825 W. Sam Houston Pkwy. N
Houston, TX 77041
1-800-AT-ENCON / 1-800-283-6266
customerservice@enconsafety.com
<http://www.enconsafety.com>